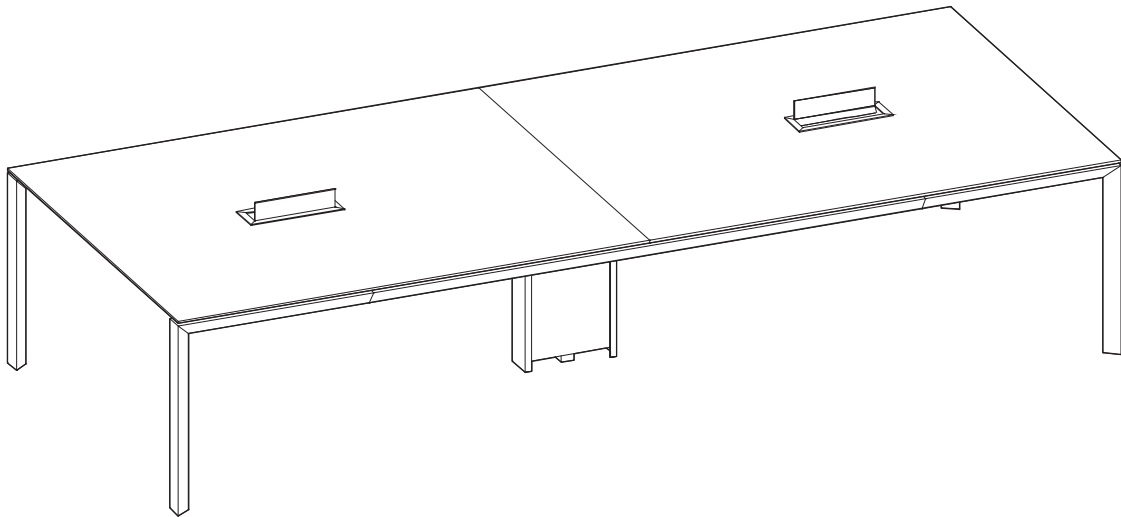
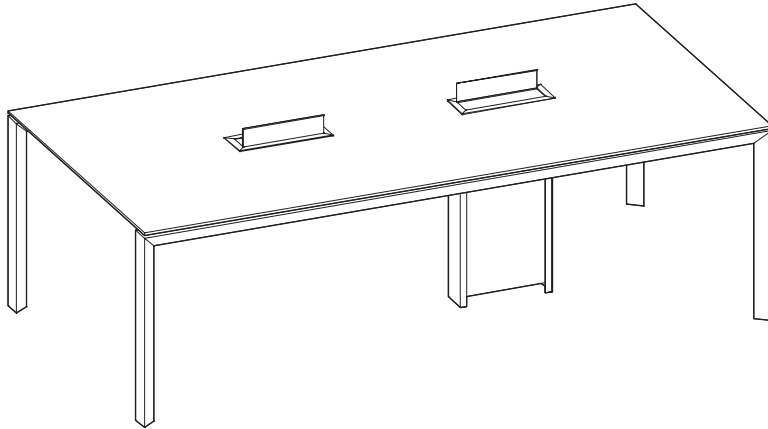
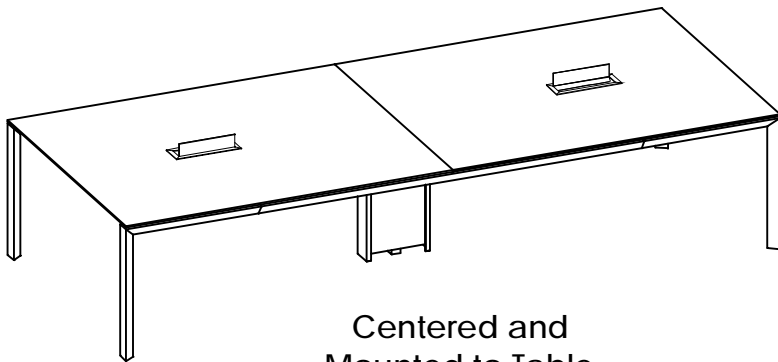


ASSEMBLY

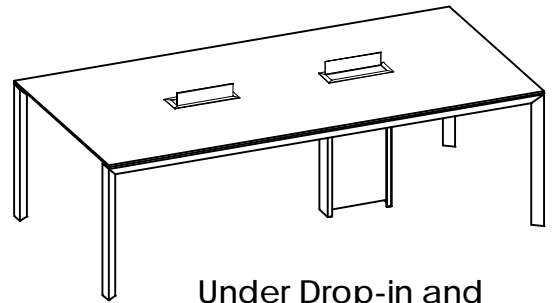
Miro Cable Tower



View Digitally



Centered and Mounted to Table



Under Drop-in and Mounted to Pan

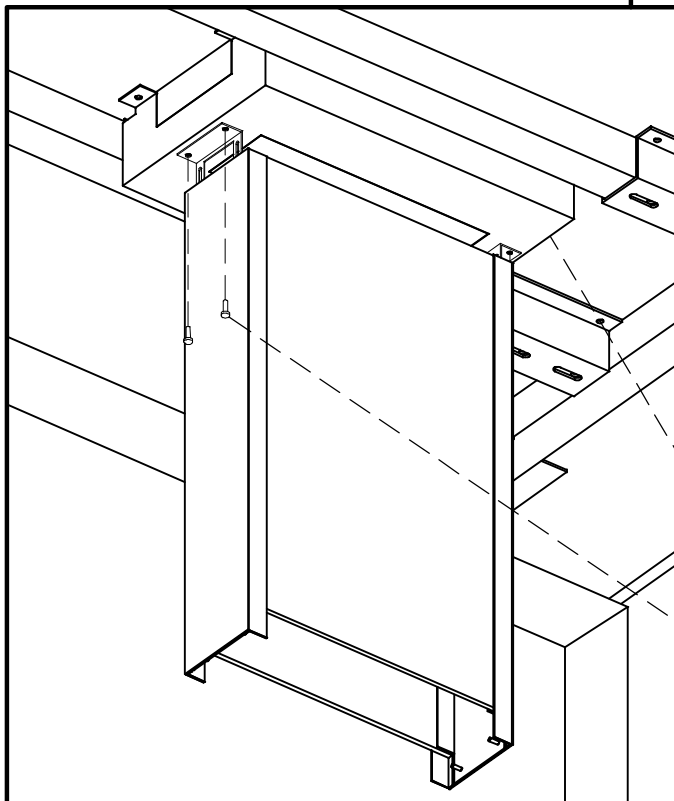
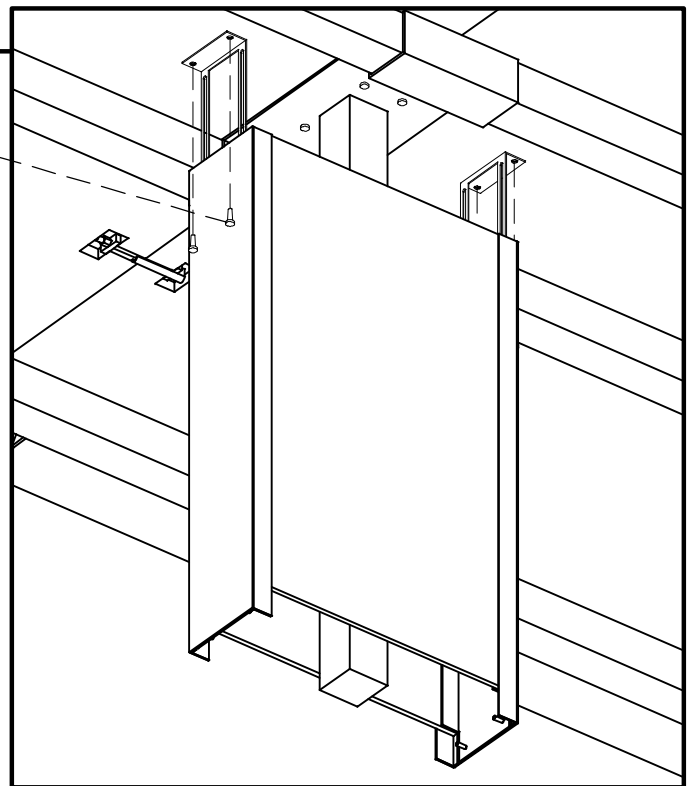
Mounting Option 1

Locate pilot holes and center Cable Tower under table. Use #10 x 3/4" wood screws (FIG-1) to attach.

Mounting Option 2

Locate Cable Tower under pan and use #10 x 3/8" self threading screws (FIG-2) to attach.

#10 x 3/4" wood screw



pan

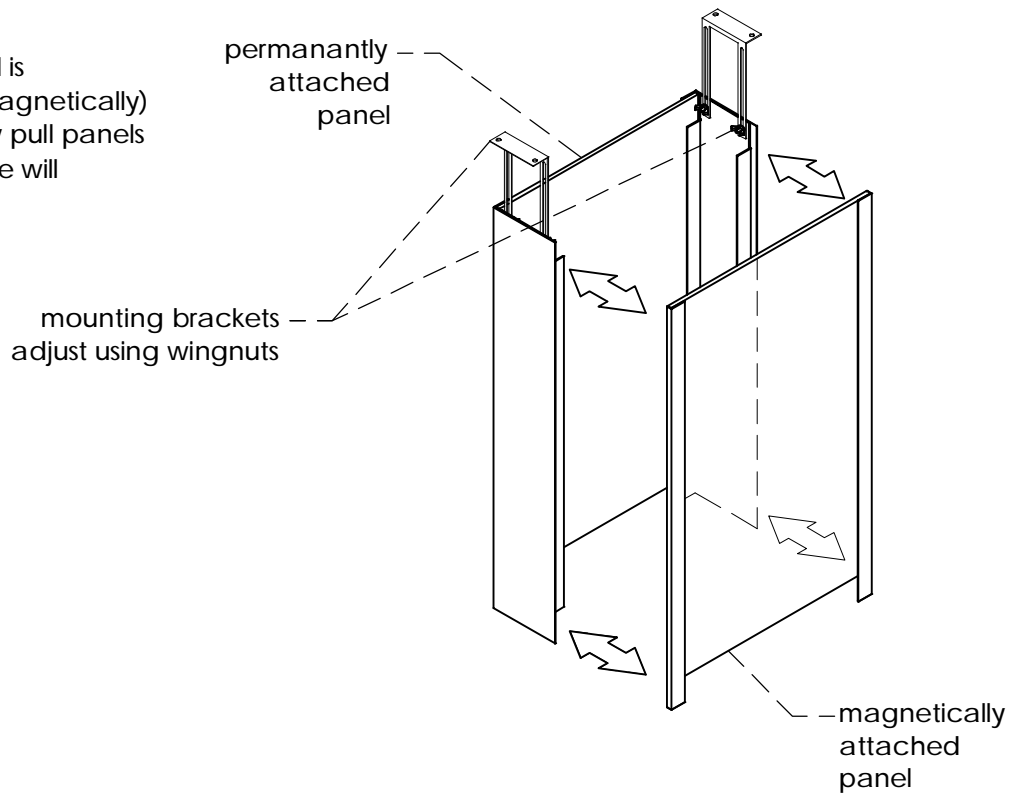
#10 x 3/8" self threading screw

FASTENER KEY	
FIG-1	<p>#10 x 3/4" wood screw</p>
FIG-2	<p>#10 x 3/8" self threading screw</p>



Access

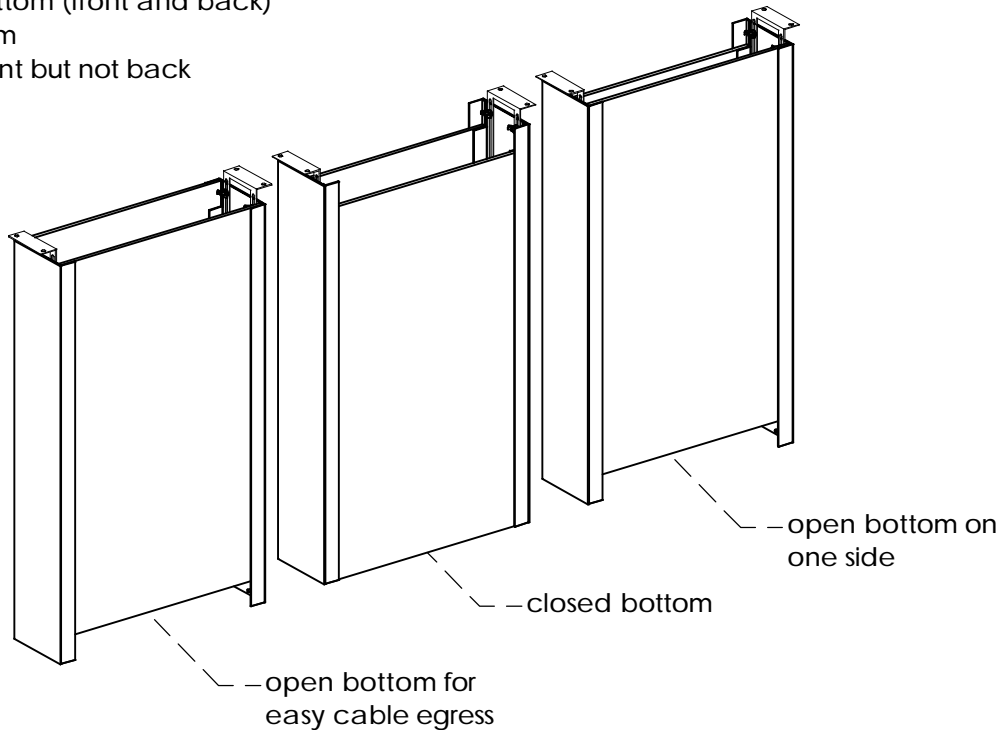
One Cable Tower panel is removable (attaches magnetically) and one is fixed. Gently pull panels apart and magnetic one will separate.



Cable Tower Panel Orientation

Cable Tower panels can be oriented in three different configurations.

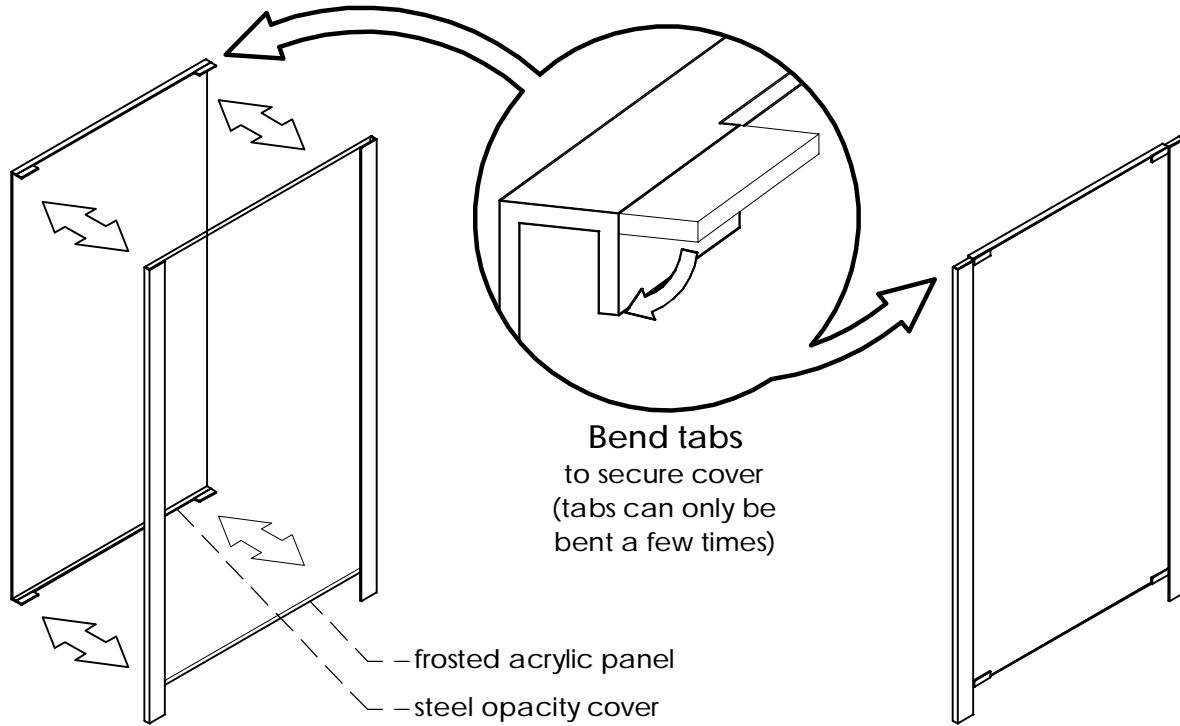
- Open gap on bottom (front and back)
- No gap on bottom
- Open gap on front but not back





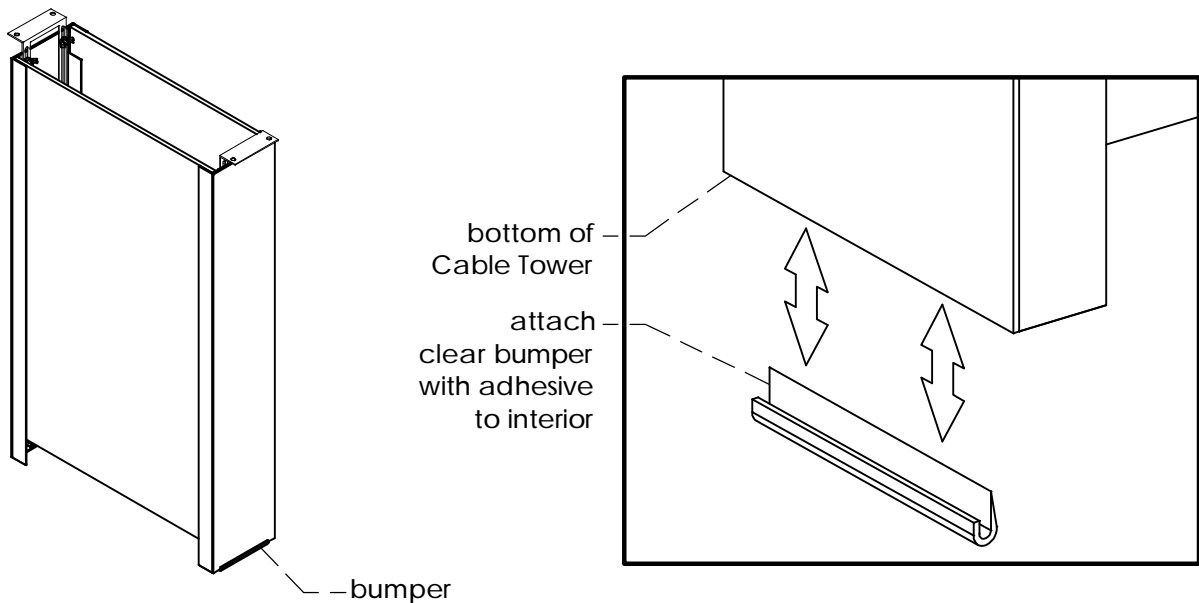
Opacity Cover Optional Accessory

Cable Tower ships with two steel covers. Covers may be installed on interior surface of acrylic panels for increased visual screening of cables. If not used, covers may be recycled.



Cable Tower Bumper

If Cable Tower is to be used on non-carpeted floors, install clear bumper on bottom of tower.

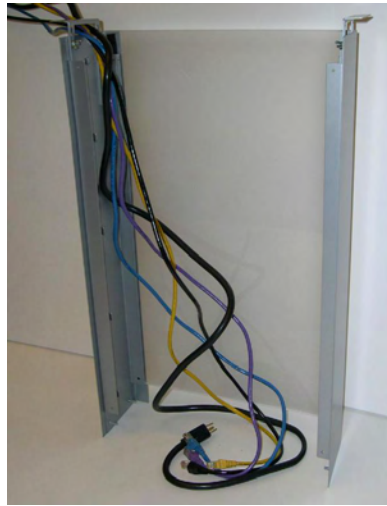




Cable Management

Option 1

Cables can be left unmanaged for a cascading effect.



Option 2

Cables can be managed using zip tie points on the interior of the Cable Tower.

