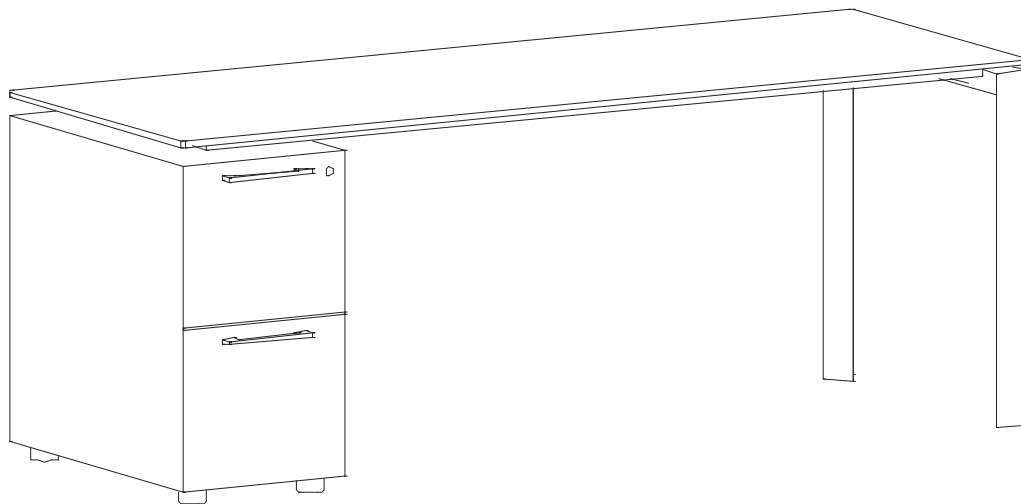
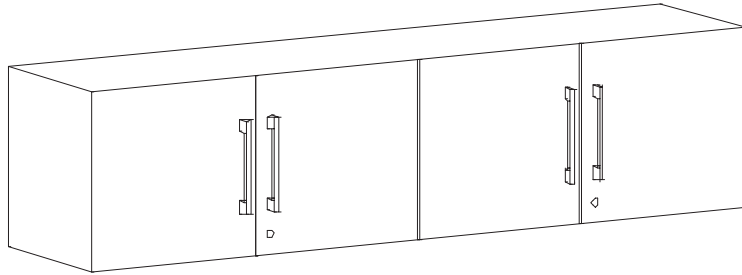
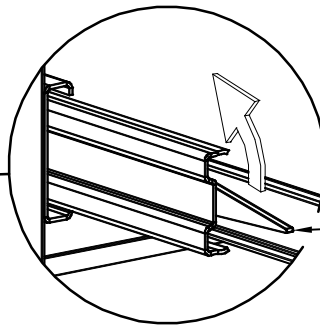
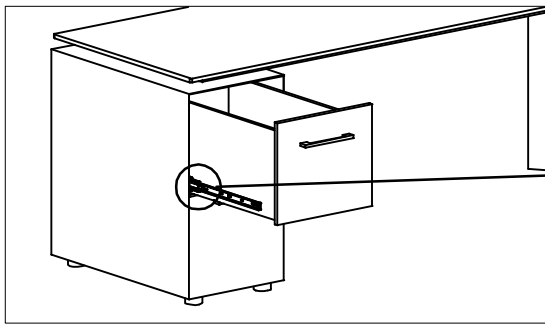
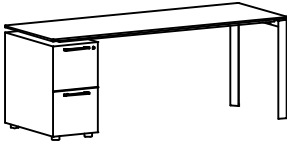
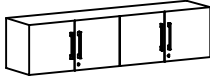


ASSEMBLY

Miro Disassembly

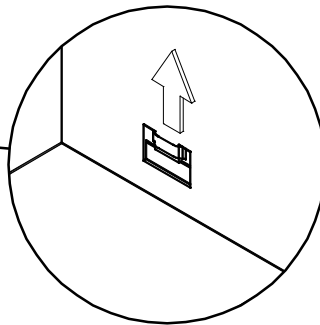
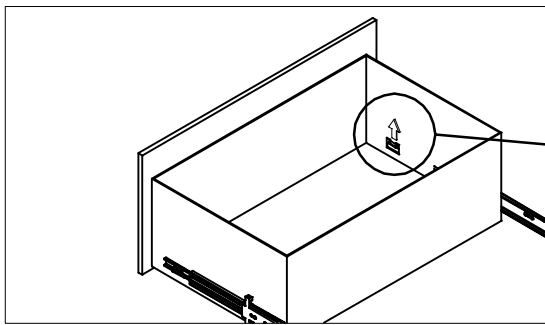


View Digitally



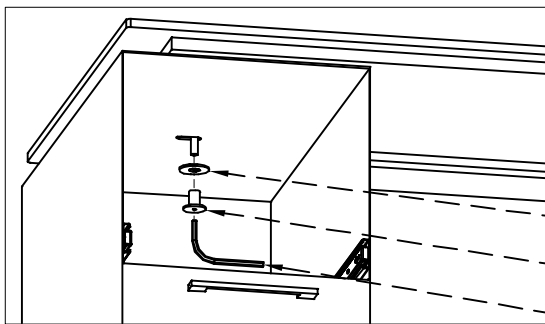
Step 1: For 15" wide drawers
To remove top drawer, press plastic levers up or down on sides of drawer slides to disengage drawer.

Tip:
Plastic levers will press in opposite directions on each side of drawer.



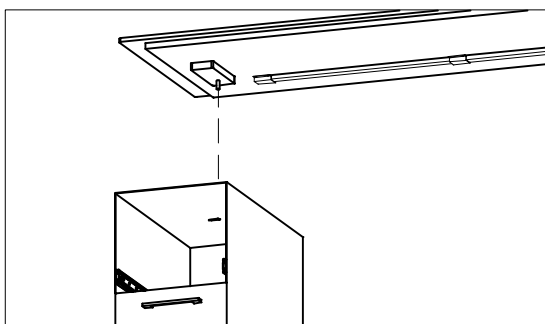
Step 1: For 30" wide drawers
Lift drawer straight upward to detach tab from drawer slides.

Tip: Lift one corner or side of drawer at a time.

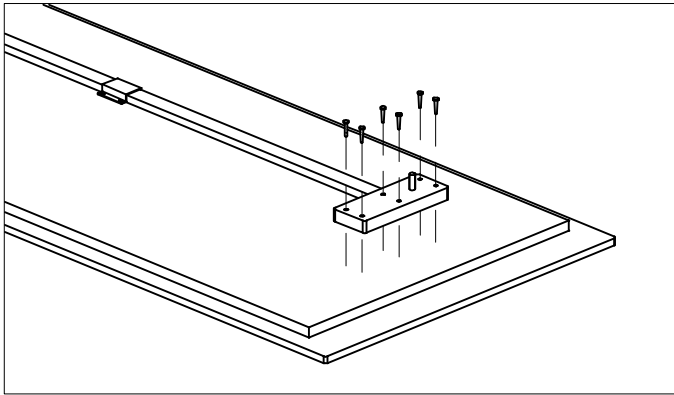


Step 2
Unscrew joint connector nut and washer from inside of pedestal using M5 Allen wrench.

- 2" Fender Washer
- Joint Connector Nut
- M5 Allen wrench.



Step 3
Lift desk and riser straight up from pedestal. Make sure not to scratch top of pedestal at this time. Place desk upside down on floor.



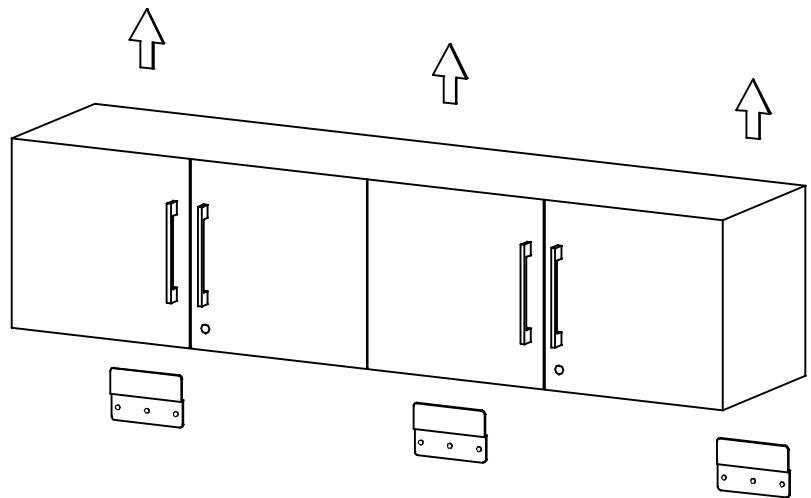
Step 4

Unscrew all screws connecting riser to desk and remove. Also remove legs and support tube at this time.

To Remove Wall Mounted Cabinet:

Step 1

Lift the cabinet straight upward to take cabinet off of wall.



Step 2

Remove screws from steel cleats on wall.

