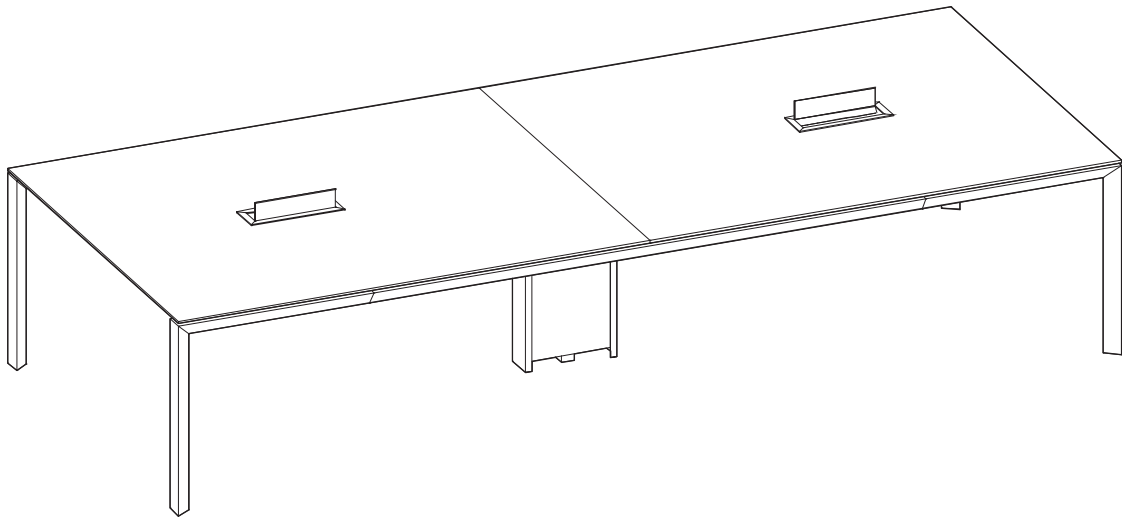
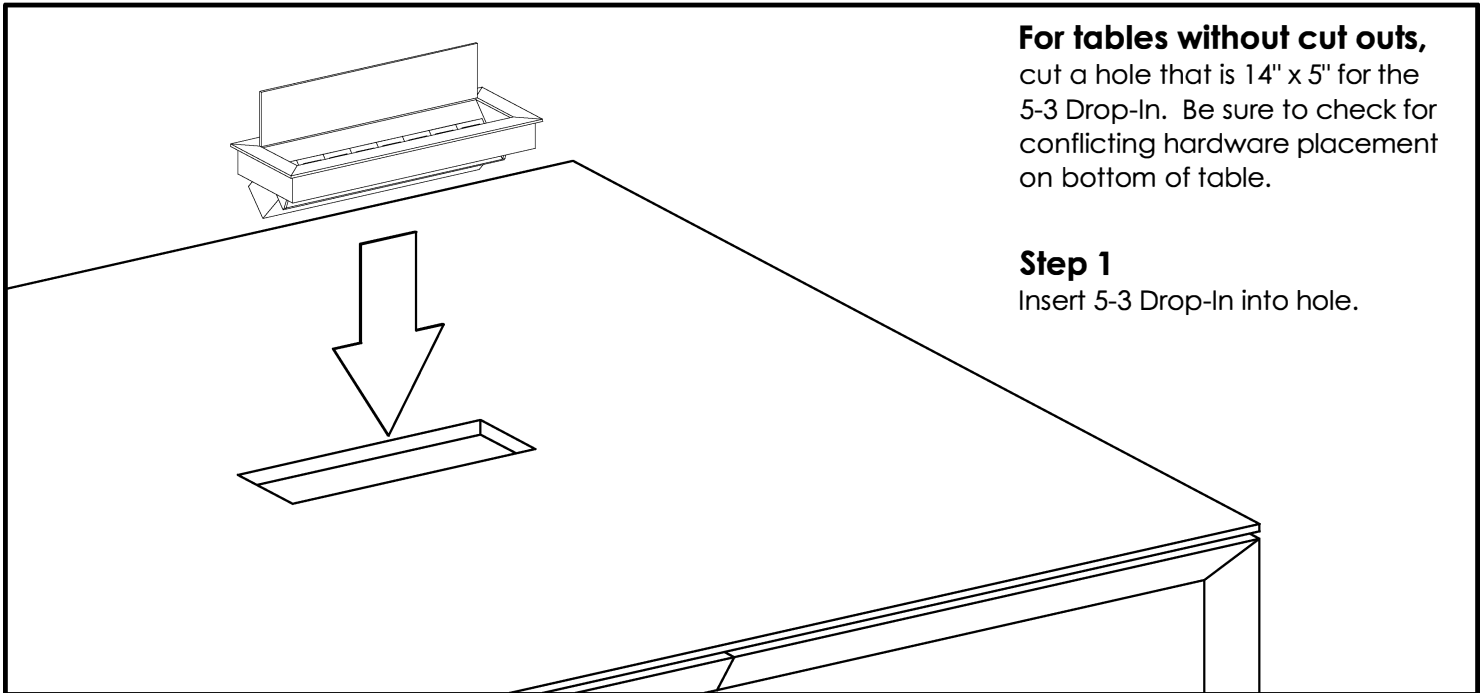
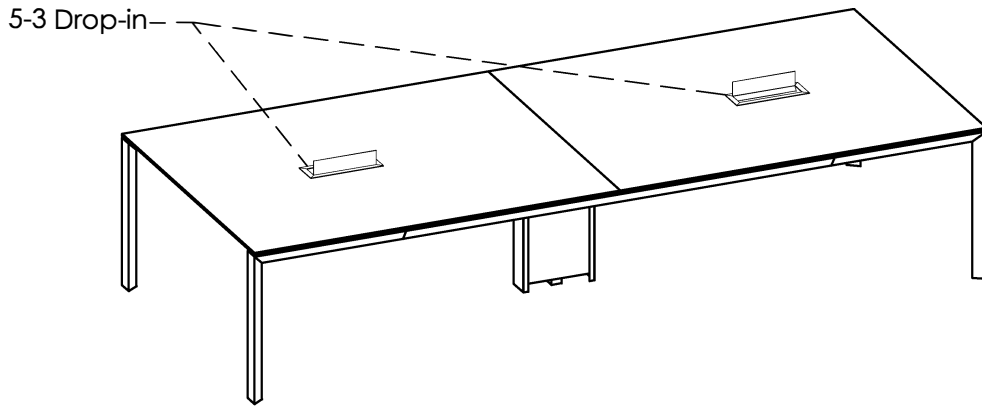


# ASSEMBLY

Miro Drop-in Power



View Digitally



**For tables without cut outs,**  
cut a hole that is 14" x 5" for the  
5-3 Drop-In. Be sure to check for  
conflicting hardware placement  
on bottom of table.

**Step 1**

Insert 5-3 Drop-In into hole.

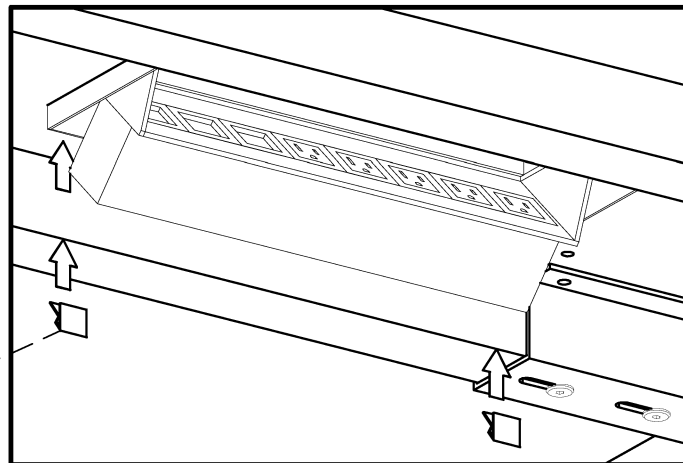
**Step 2**

Install steel retention clips on  
Drop-In along hinge side.

**Voice and Data**

Refer to manufacturer's  
instructions for installation of  
voice and data connections.

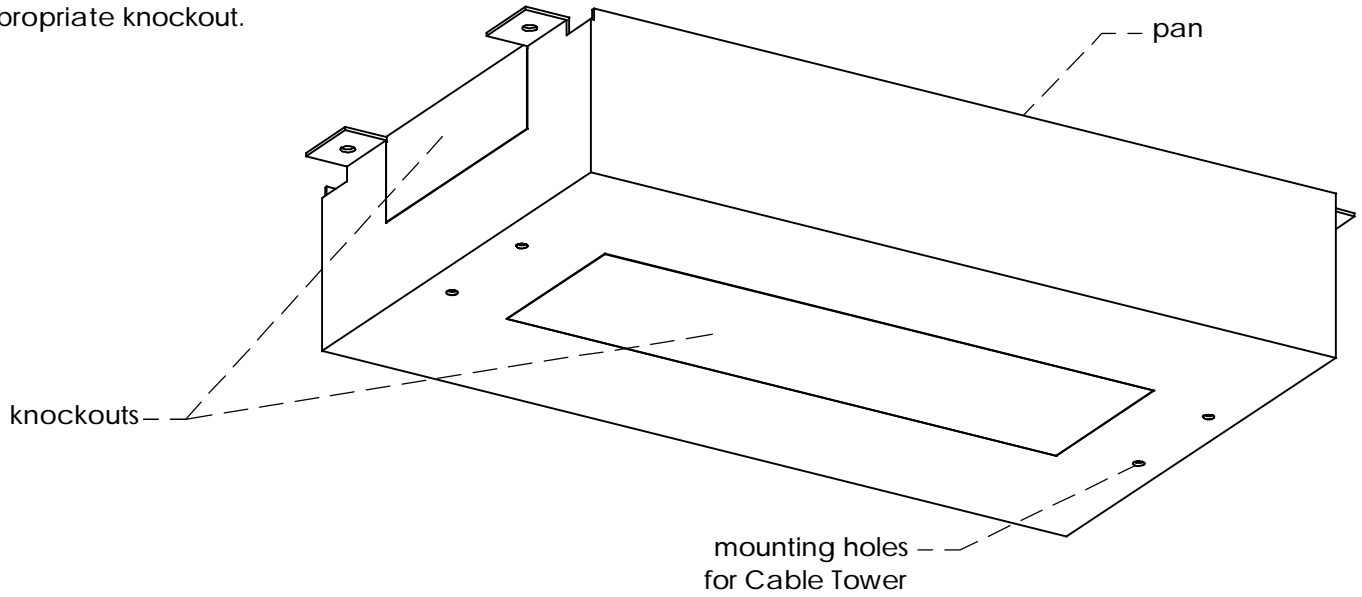
steel clip—





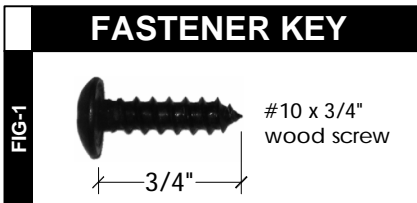
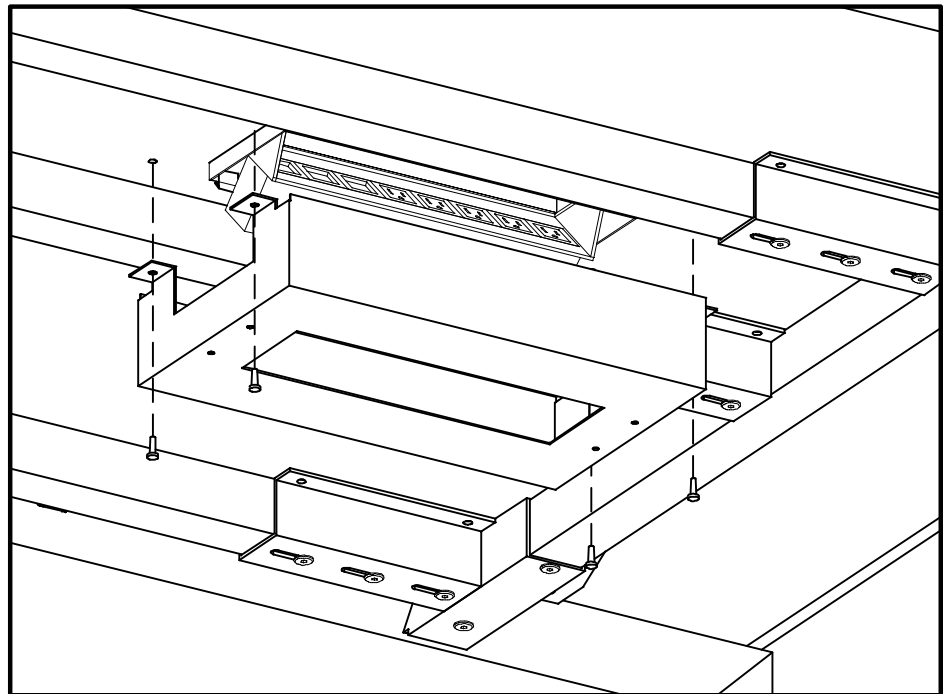
**Step 3**

Determine route for cable egress through pan and remove appropriate knockout.



**Step 4**

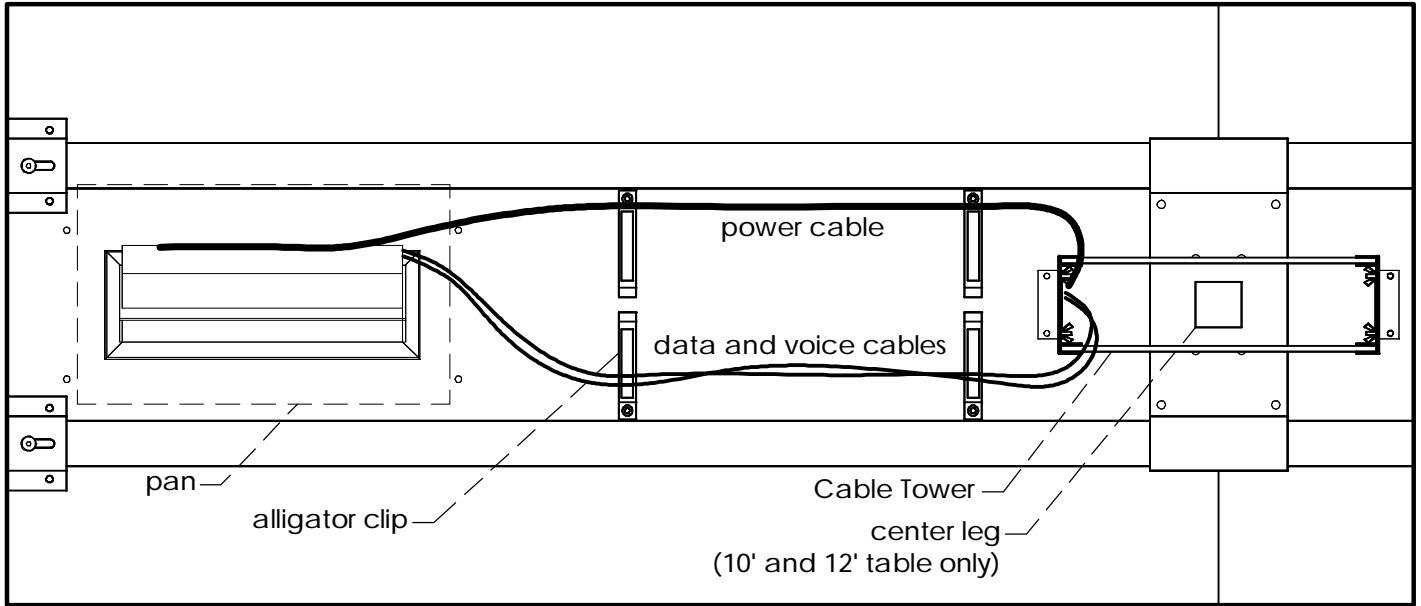
Install pan under 5-3 Drop-in using #10 x 3/4" wood screws (FIG-1).





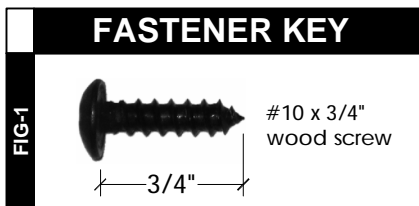
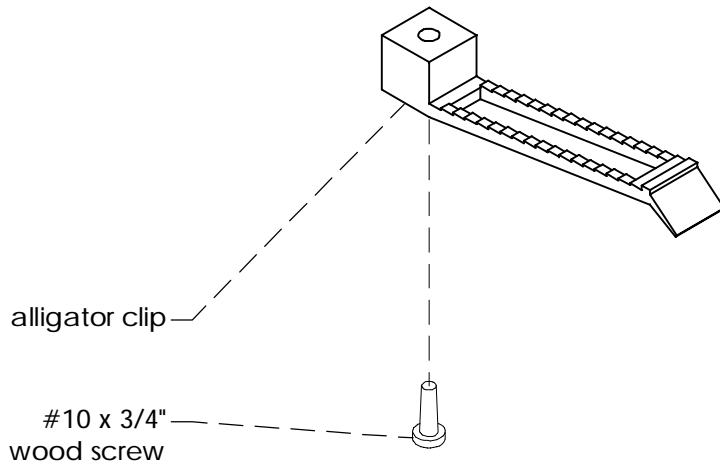
**Step 5 - for plug-in power**

Install alligator clips and route cables out of pan from drop-in to Cable Tower.  
Use #10 x 3/4" wood screw (FIG-1) to attach clips.



**Step 6**

Route cables through Cable Tower  
(see Cable Tower instructions).

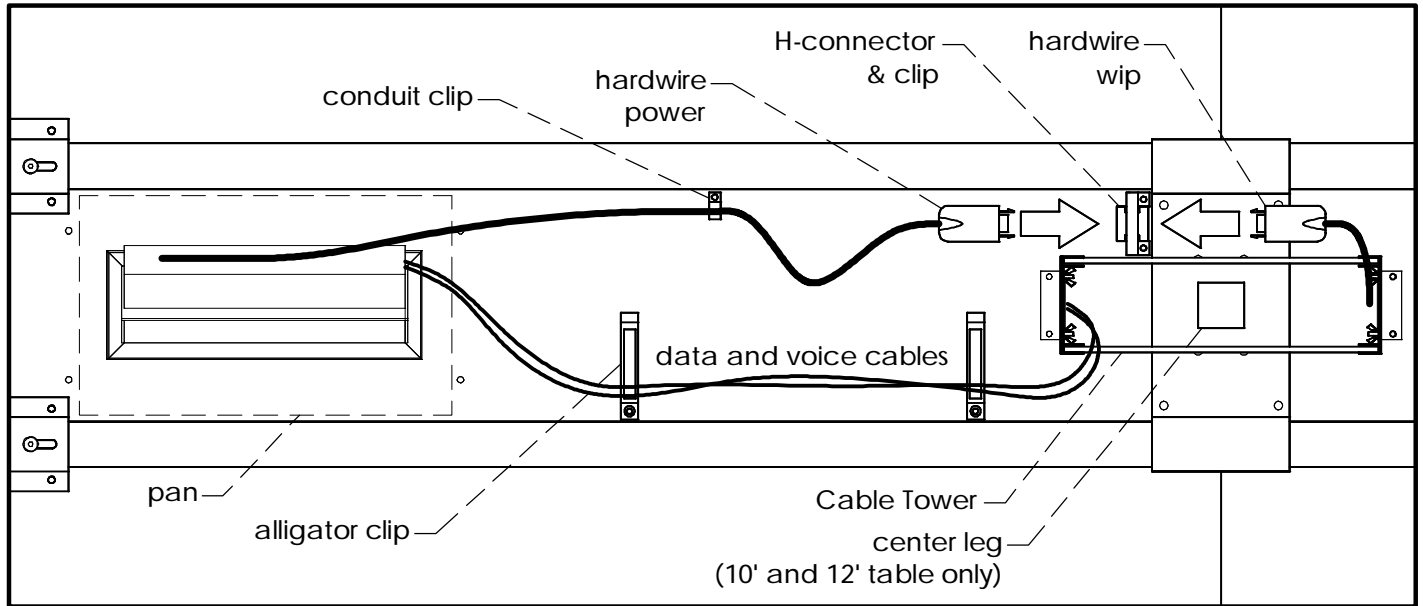




**Step 5 - for hardwire power**

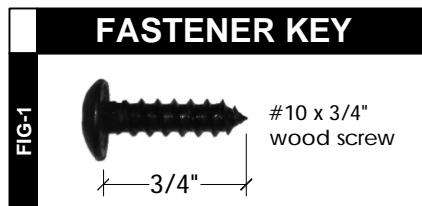
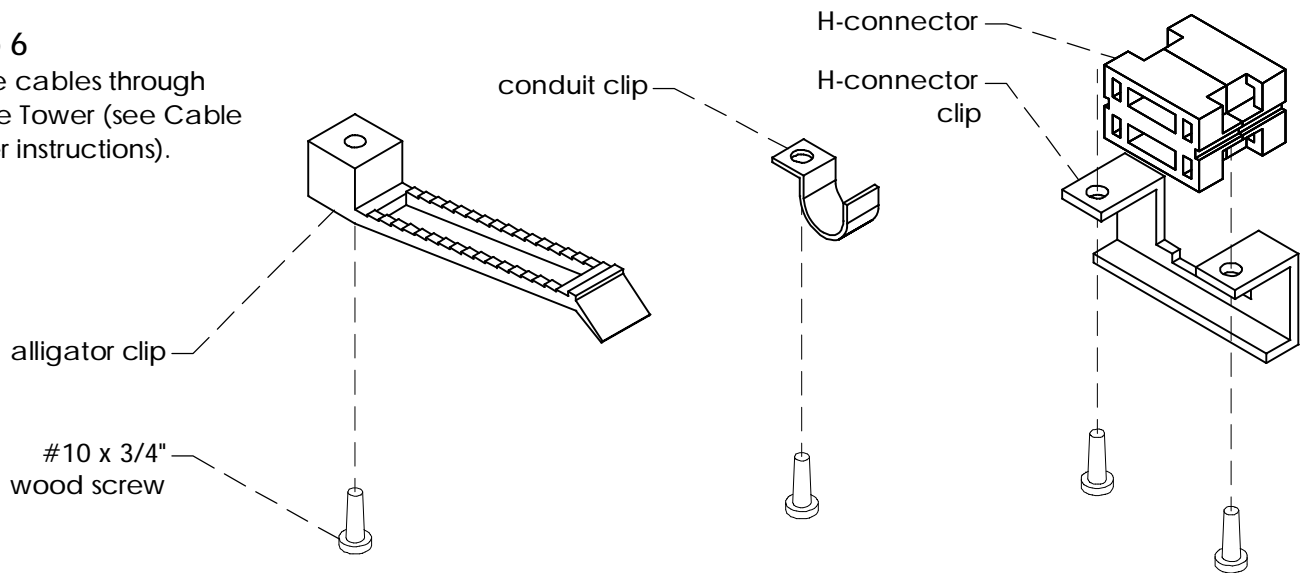
Install alligator clips, conduit clips, and H-connector and run cables from drop-in to Cable Tower.

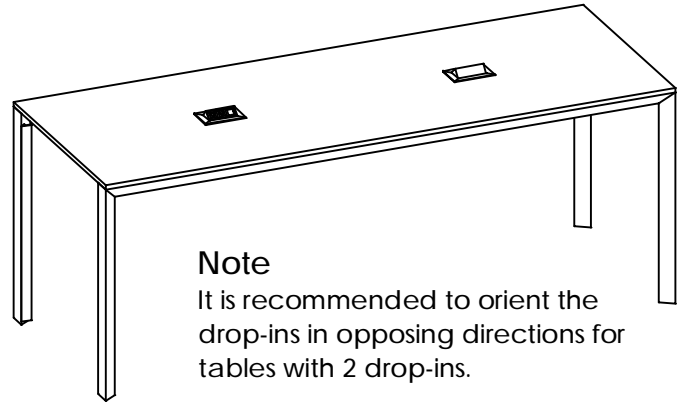
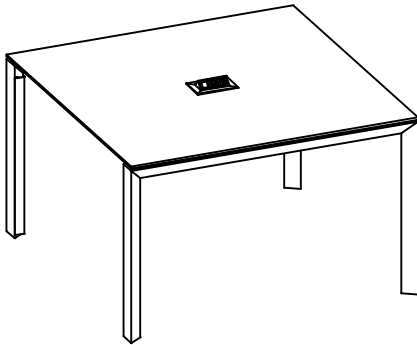
Use #10 x 3/4" wood screw (FIG-1) to attach clips.



**Step 6**

Route cables through Cable Tower (see Cable Tower instructions).

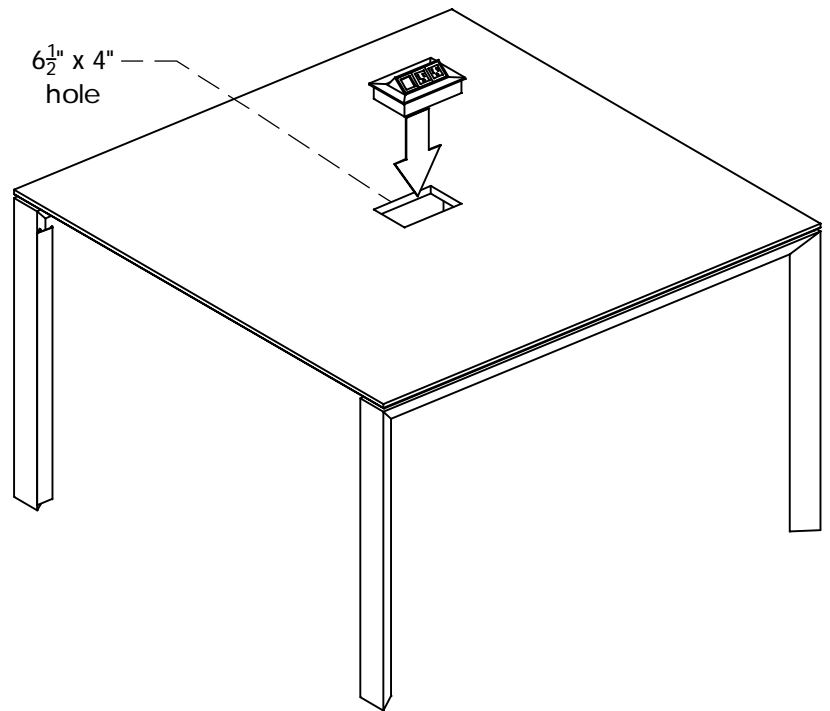




**Note**

It is recommended to orient the drop-ins in opposing directions for tables with 2 drop-ins.

For tables without cut outs, cut a hole that is 6-1/2" x 4" for the 2-1 Drop-In. Be sure to check for conflicting hardware placement on bottom of table.

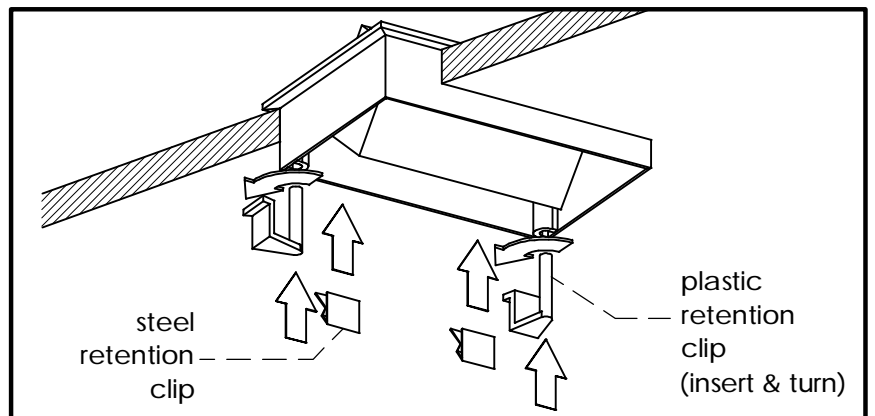


**Step 1**

Insert 2-1 Drop-In into hole.

**Step 2**

Install plastic retention clips and steel retention clips on Drop-In along hinge side.



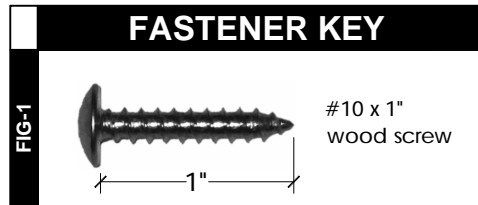
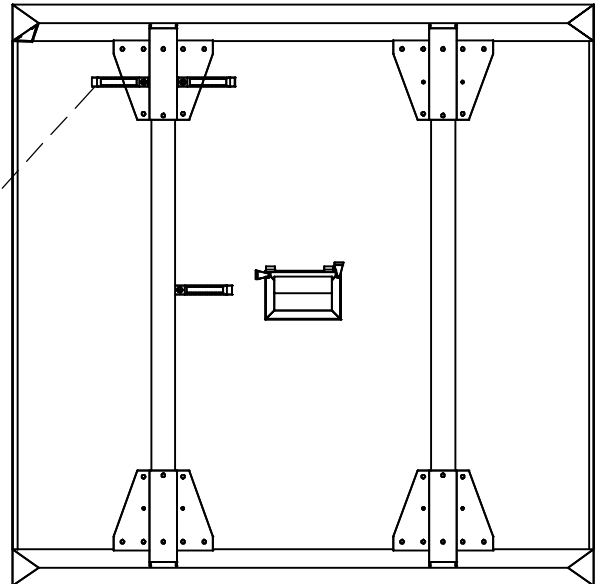
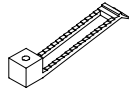


Cable routing

Step 3

Fasten Alligator Clips along route to leg nearest power source using #10 x 1" screws (FIG-1).

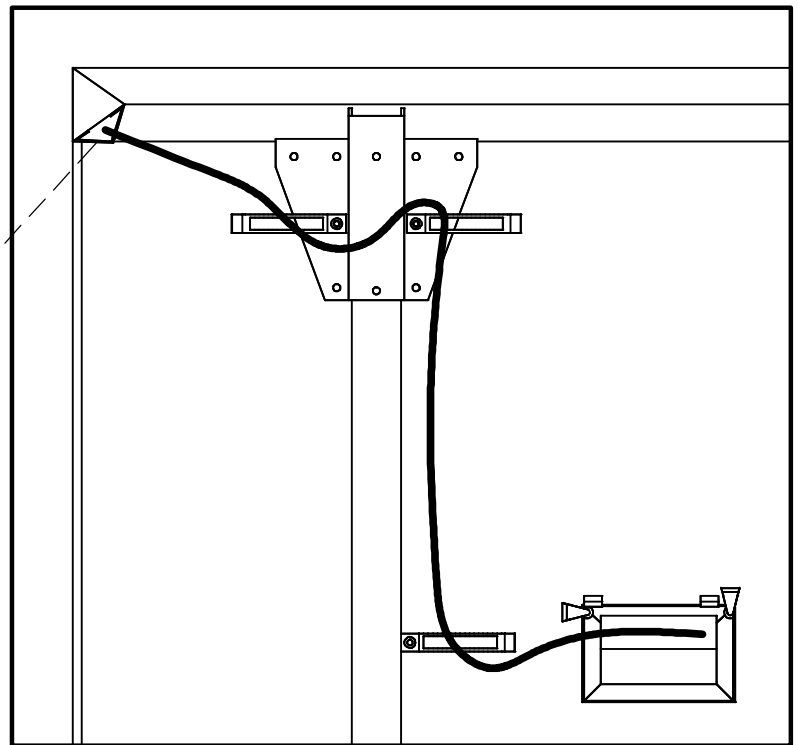
Alligator Clip



Step 4

Route cable(s) through Alligator Clips to Cable Channel on leg.

Cable Channel on leg  
(sold separately)



Voice and Data

Refer to manufacturer's instructions for installation of voice and data connections.