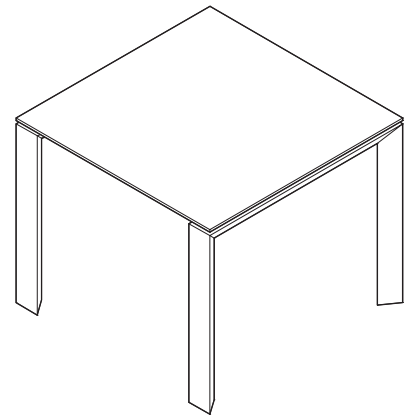
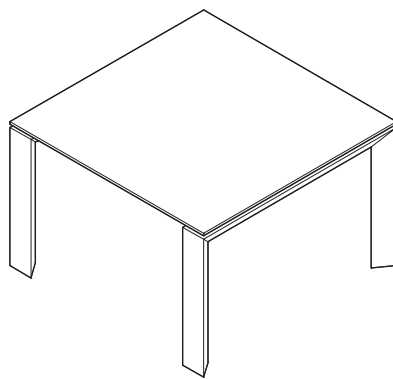
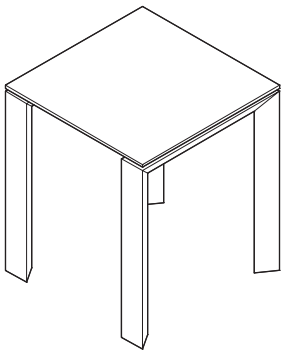
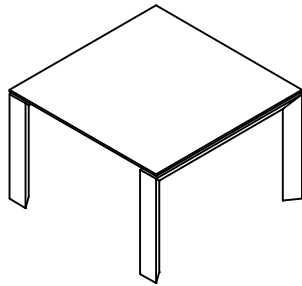


# ASSEMBLY

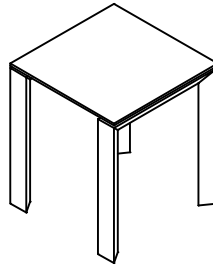
## Miro Occasional Tables



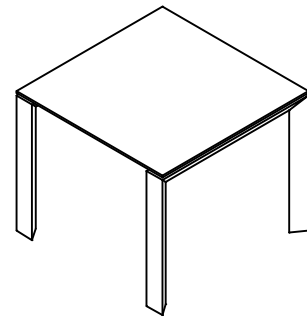
View Digitally



28"x28"  
17.5"H Table



20"x20"  
22.5"H Table



28"x28"  
22.5"H Table

**Step 1**

Begin table assembly with work surface upside down.

**Step 2**

To attach legs, align holes in leg brackets to the threaded inserts in table. Attach legs to desk with 1/4-20 x 3/8" machine screws provided (FIG-1).

