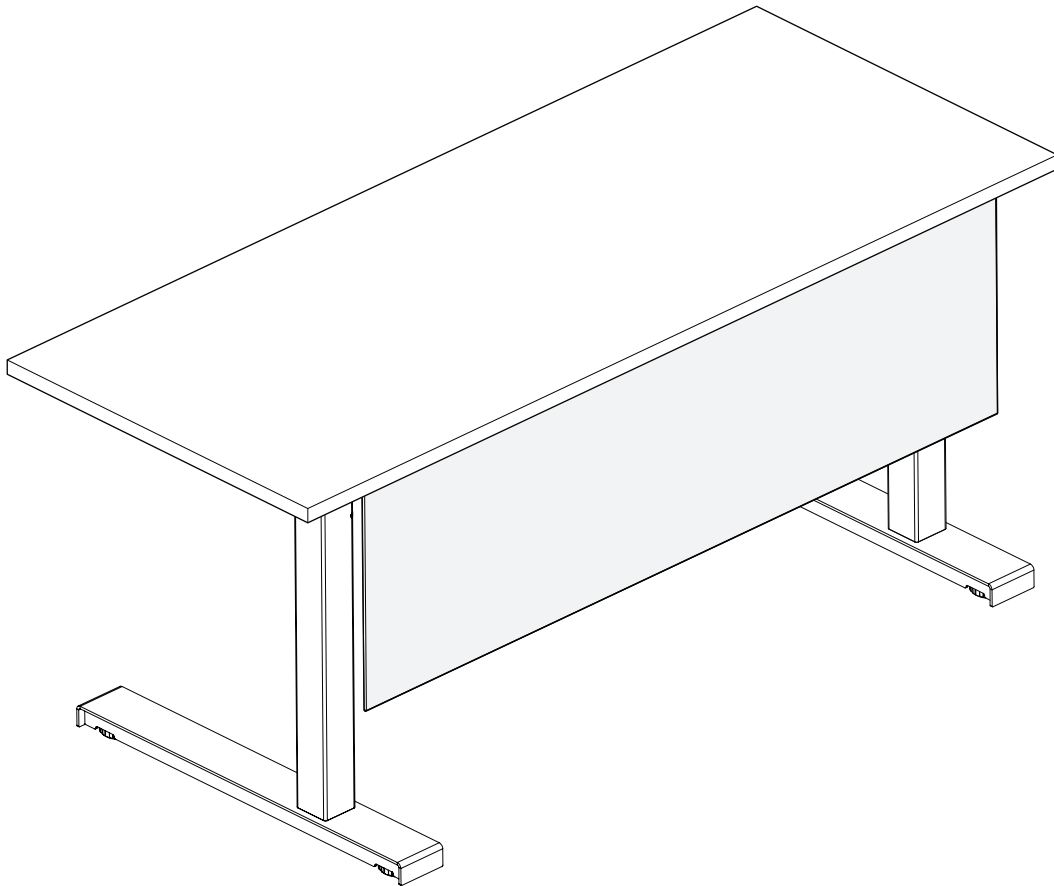


ASSEMBLY

Seven Modesty



ITEM NO.	PART NUMBER	COMPONENT	QTY
1	5000313##	MODESTY STEEL	1
2	501314F	SEVEN BRACKET, MODESTY MOUNTING	2
3	497100	SCREW, PAN HEAD, #10-32, 0.3125" LENGTH	4
4	118252	SCREW, PAN-HEAD, #10-32, 0.25" LENGTH	2

Step 1

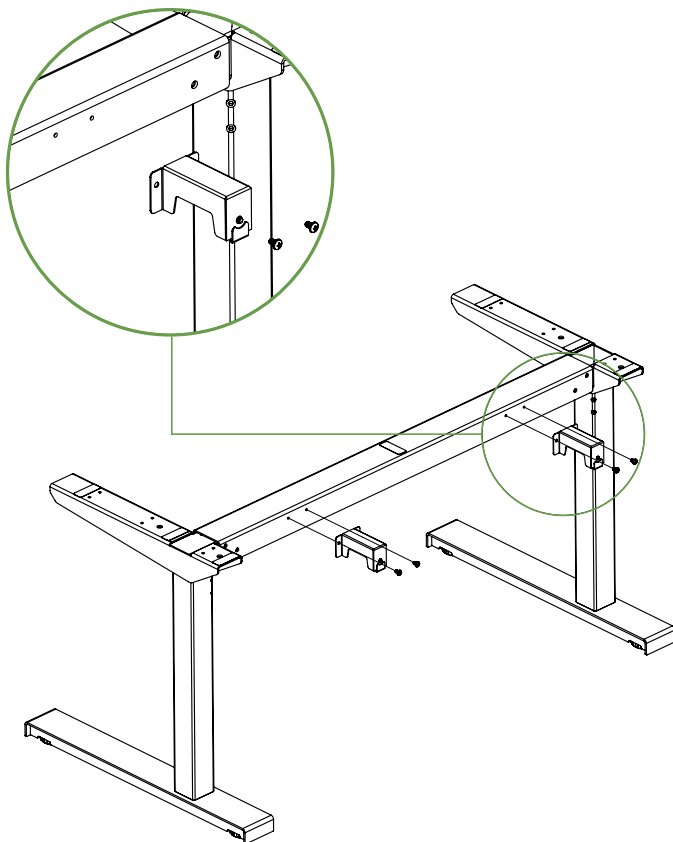
Locate the two sets of mounting holes on the utility beam. Align the two holes on the side of each mounting bracket (2) with two mounting holes on the utility beam, and secure each bracket with two #10-32 x ¼" thread rolling screws (3).

Note:

Ensure that the set screws in the bracket hanger do not interfere with attaching the modesty.

Note:

The modesty shield should be 6" shorter than the length of the table.



Step 2

Center the modesty shield with the table. Align the ob-round holes in the modesty edge with the middle of each bracket. Hook the modesty shield on to the ends of the brackets. Secure the modesty shield by driving the set screw in – it is not necessary to tighten the set screw.

