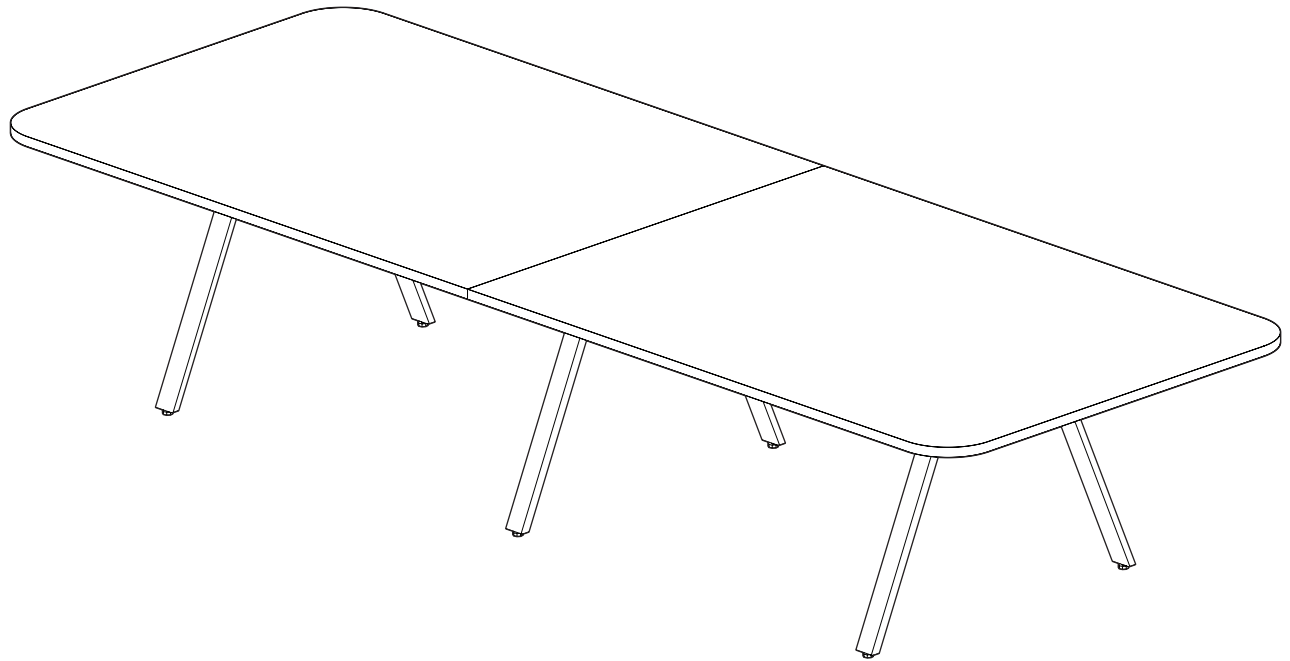


# ASSEMBLY

## Tonic Conference Table



View Digitally

# Important Safety Instructions

This product is for commercial use only.

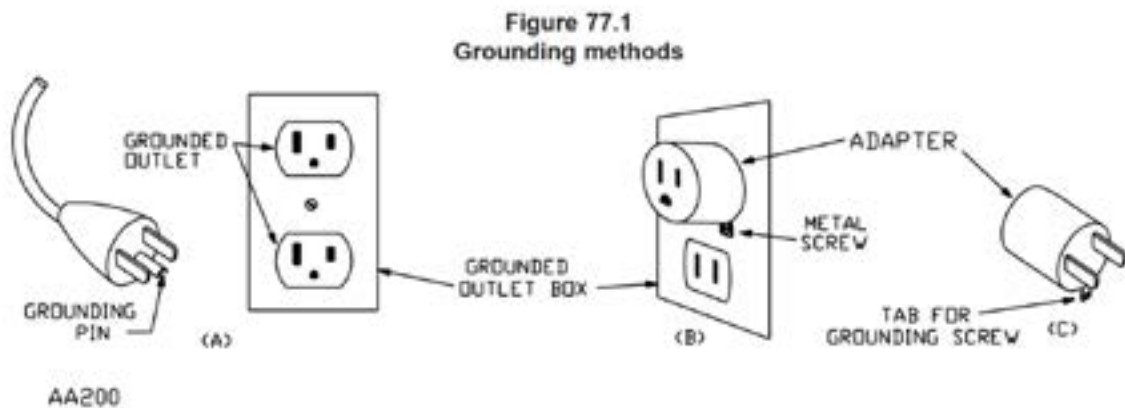
If ordered as an electrical furnishing, basic precautions should always be followed, including the following:

Read all instructions before using (this furnishing).

## WARNING -

To reduce the risk of burns, fire, electric shock, or injury to persons:

1. Unplug from outlet before putting on or taking off parts.
2. Close supervision is necessary when this furnishing is used by, or near children, invalids, or disabled persons.
3. Use this furnishing only for its intended use as described in these instructions. Do not use attachments not recommended by the manufacturer.
4. Never operate this furnishing if it has a damaged cord or plug, if it is not working properly, if it has been dropped or damaged, or dropped into water.
5. Keep the cord away from heated surfaces.
6. Do not use outdoors.
7. Do not operate where aerosol (spray) products are being used or where oxygen is being administered.
8. To disconnect, turn all controls to the off position, then remove the plug from outlet.
9. **WARNING: Risk of Electric Shock** – Connect this furnishing to a properly grounded outlet only. See Grounding Instructions (Figure 77.1).
10. Mount furnishings at the correct height.



## Save These Instructions

**POLARIZED PLUG INSTRUCTIONS** – To reduce the risk of electric shock, this furnishing has a polarized plug (one blade is wider than the other). This plug will fit in a polarized outlet only one way. If the plug does not fit fully in the outlet, reverse the plug. If it still does not fit, contact a qualified electrician to install the proper outlet. Do not change the plug in any way.

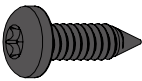
**SERVICING OF DOUBLE-INSULATED PRODUCTS** – In a double-insulated product, two systems of insulation are provided instead of grounding. No grounding means is provided on a double-insulated product, nor is a means for grounding to be added to the product. Servicing a double-insulated product requires extreme care and knowledge of the system, and is to be done only by qualified service personnel. Replacement parts for a double-insulated product must be identical to the parts they replace. A double-insulated product is marked with the words “DOUBLE INSULATION”, “DOUBLE INSULATED”, or .

This product is for use on a nominal 120-V circuit. Make sure that the product is connected to an outlet having the same configuration as the plug. No adapter should be used with this product.

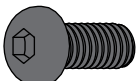
# Hardware



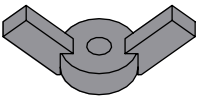
#10 X 1" WOOD SCREW  
(0002147)



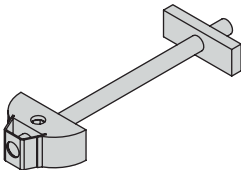
#10 X 5/8" WOOD SCREW  
(0002148)



M6 1.00 x 12mm  
Screw (125285)



Wing Nut  
(888101)

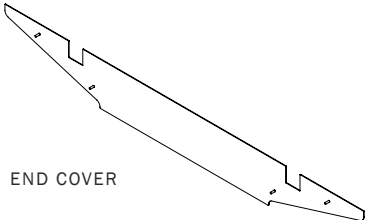


Tite Joint  
(0002294)

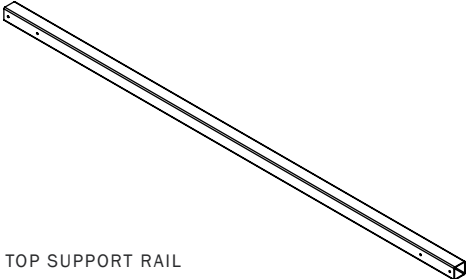
# Tonic Conference Table Components



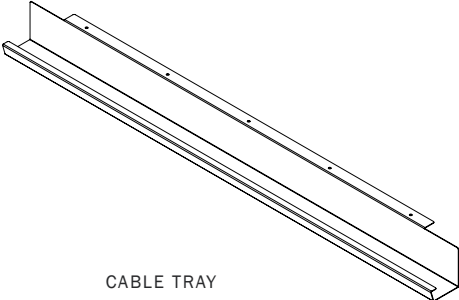
SPLICE PLATE



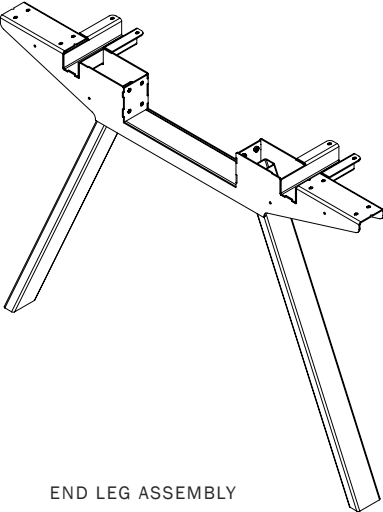
END COVER



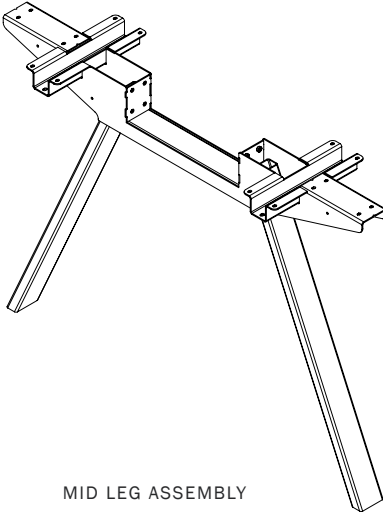
TOP SUPPORT RAIL



CABLE TRAY

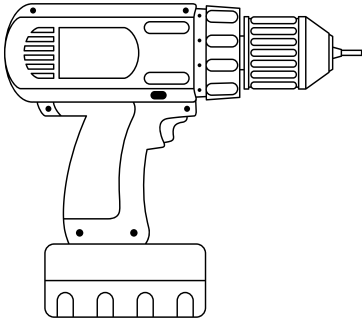


END LEG ASSEMBLY



MID LEG ASSEMBLY

# Tools



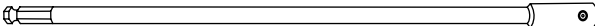
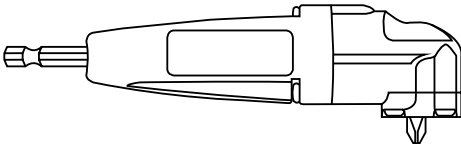
Electric Drill



P2 Phillips Driver Bit



4mm Hex Drill/ Driver Bit

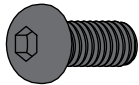


Additional tools such as a 90 Degree Bit and an 18" Extension are helpful for some steps

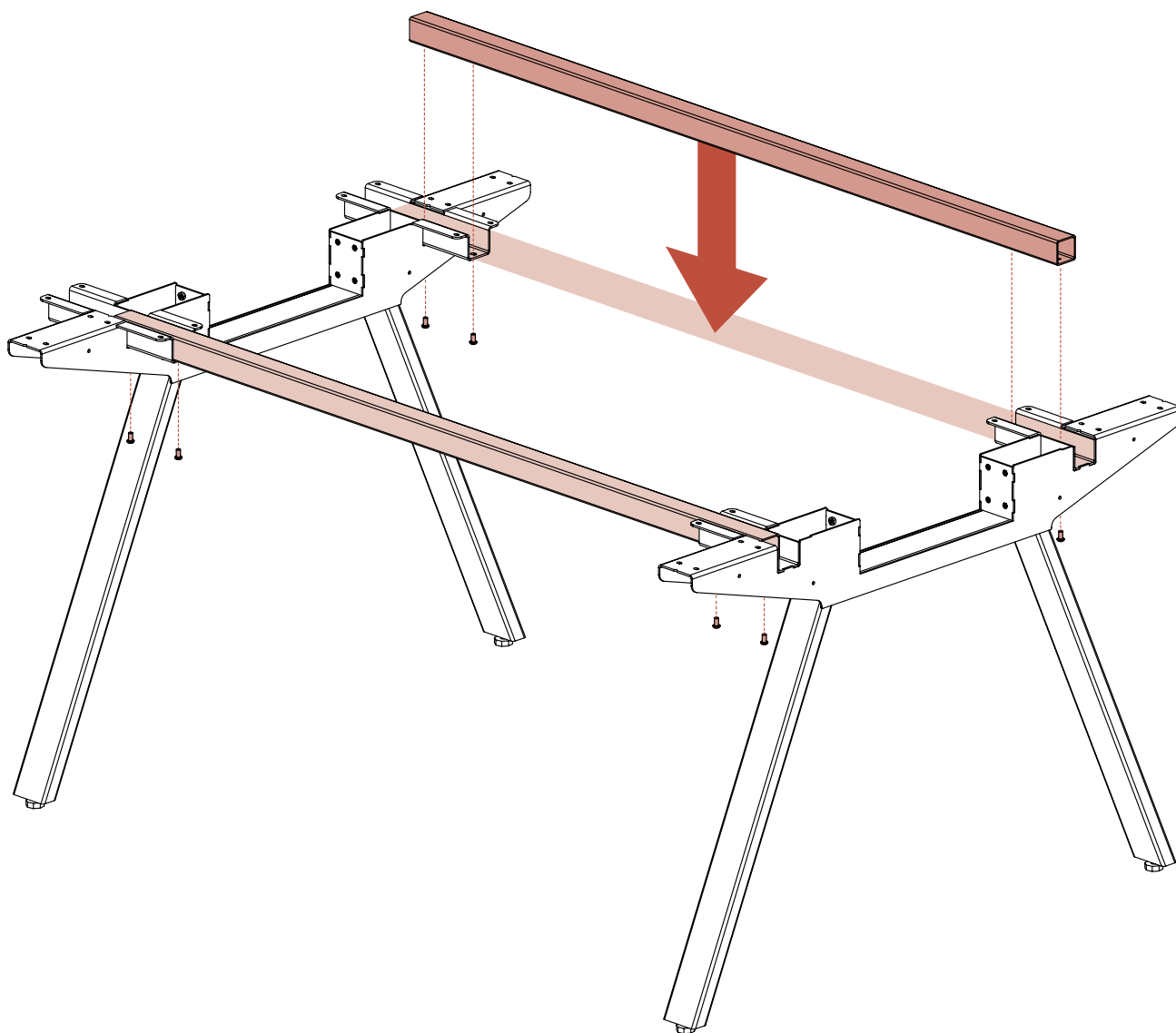
\*No torque or ball bits should be used

# 1. Top Support Rail

Orient a pair of leg assemblies upright and loosely attach top support rails with 4 screws (125285) per top support rail. For conference tables with multiple tops position the remaining Leg Assemblies and loosely attach the additional top support rails. Use end leg assemblies at the ends and mid leg assemblies in-between.

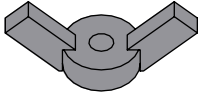


M6 1.00 x 12mm  
Screw (125285)

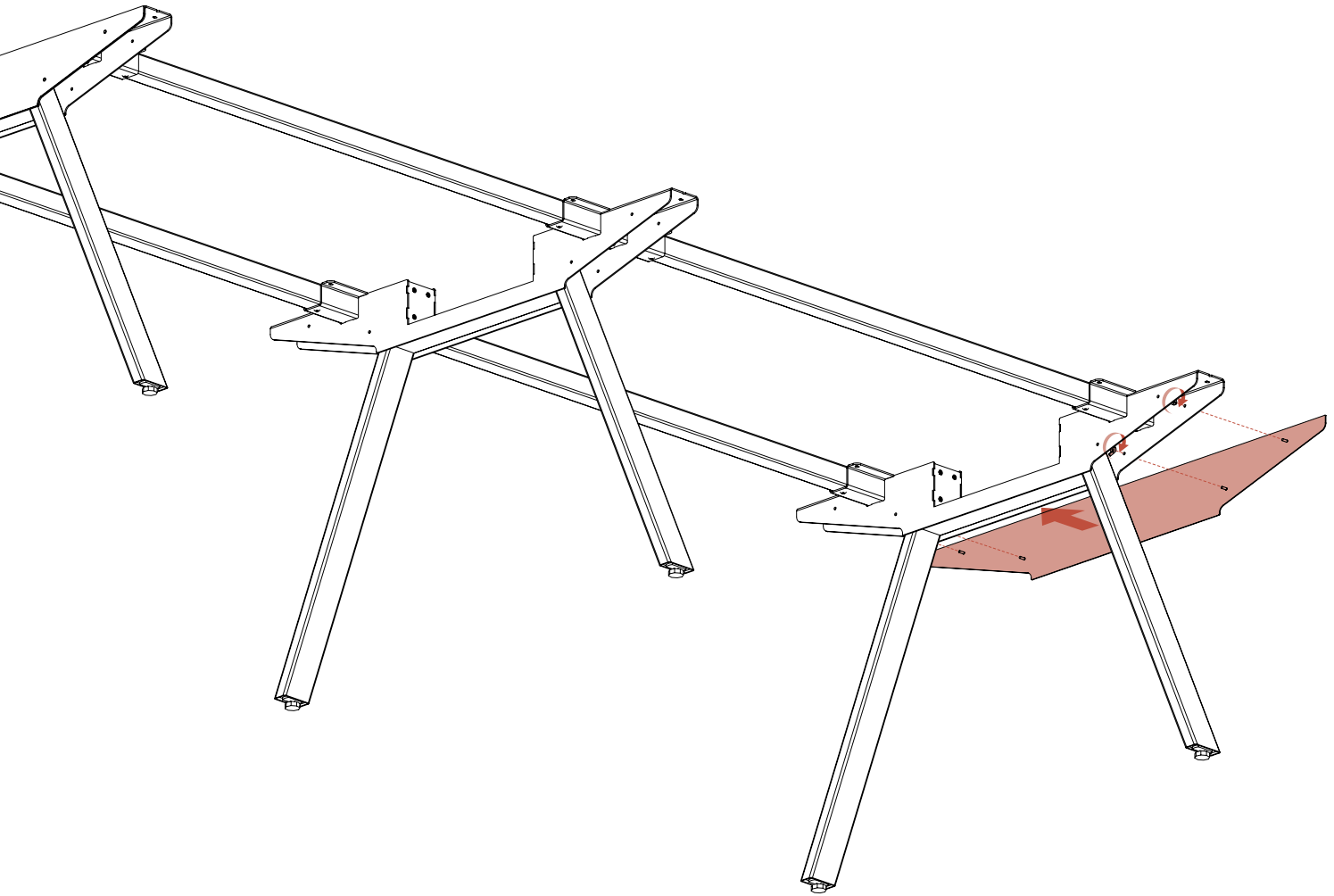


## 2. Attach End Cover

Attach end covers to legs with 4 wingnuts (888101) per end cover.  
Hand Tighten and avoid over tightening.

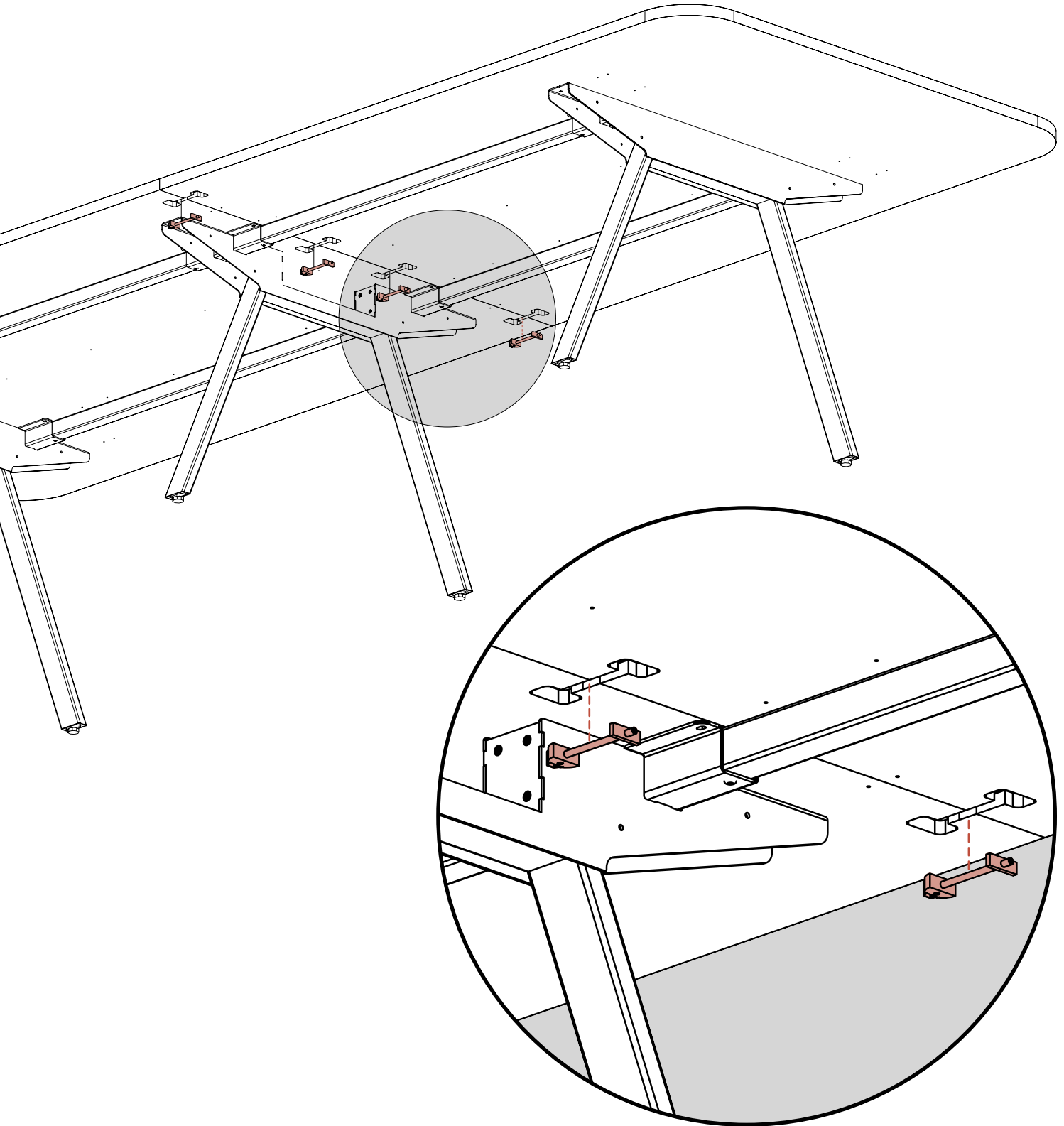


Wing Nut  
(888101)



### 3. Attach Surfaces Together)

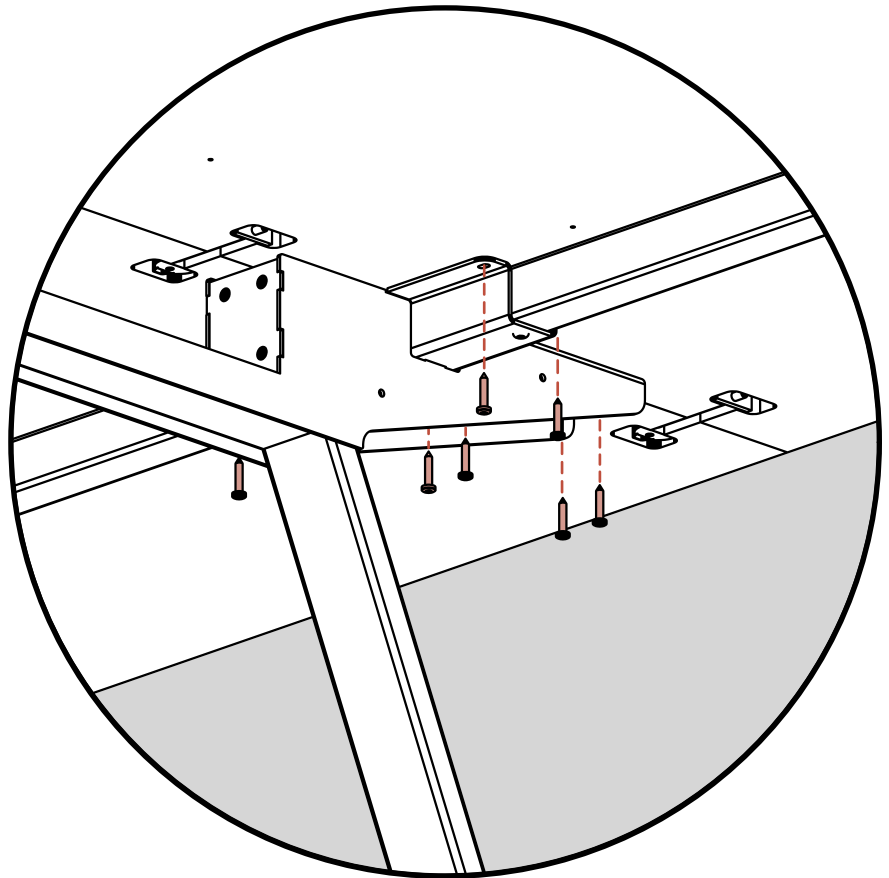
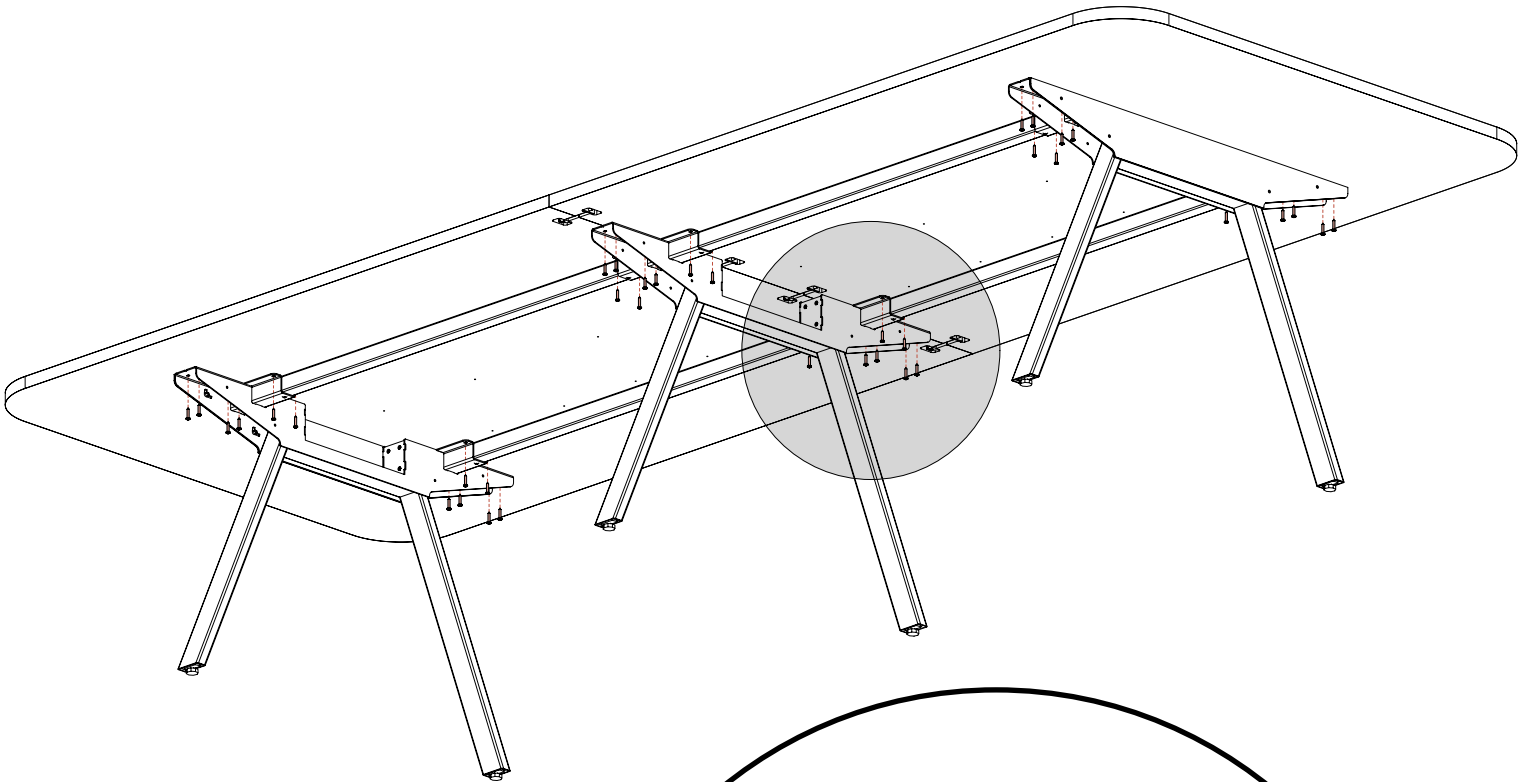
Place the surfaces offset on the base as shown to allow access to the tite joint locations. Push the surfaces together making sure to align them depth-wise. Place tite joints into the corresponding cutouts and tighten them with a 4mm hex bit to close the gap between the surfaces.





#### 4. Attach Surface to Base

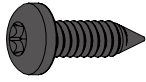
Align the worksurface pilot holes with the slots in the legs and drive the appropriate number of woods screws.  
Tip: Get at least one hole aligned and loosely drive a screw in that hole before trying to align other holes.



5.

**Attach Optional Cable Tray**

Align the worksurface pilot holes with the holes in the cable trays and drive the appropriate number of woods screws (0002148).



#10 X 5/8" WOOD SCREW  
(0002148)

