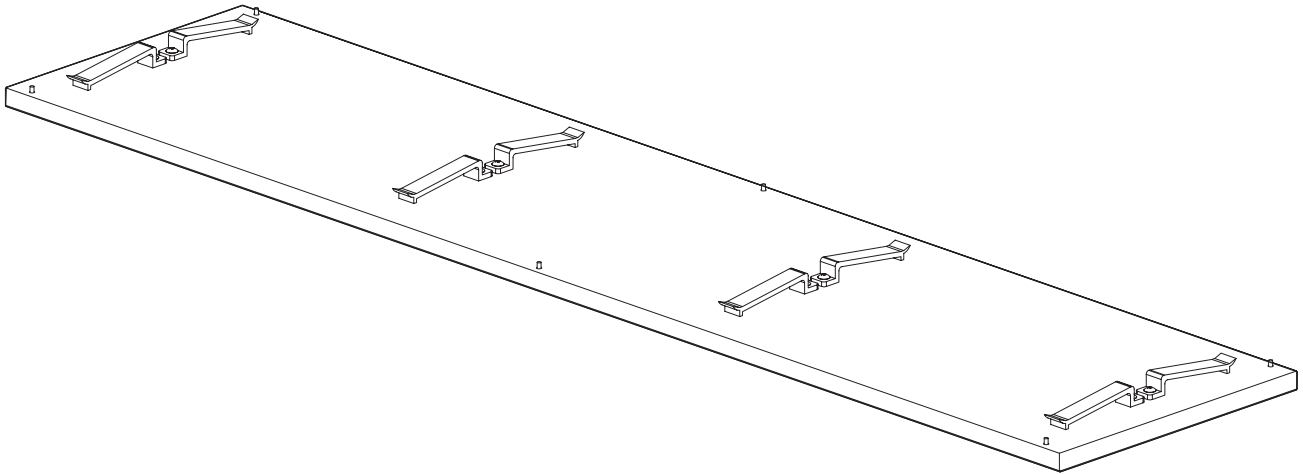


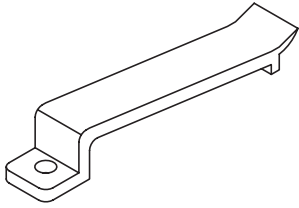
ASSEMBLY

Tonic Dual Sided Chicago Power

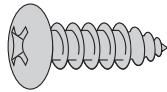


View Digitally

Hardware



Alligator Clip
(486911)

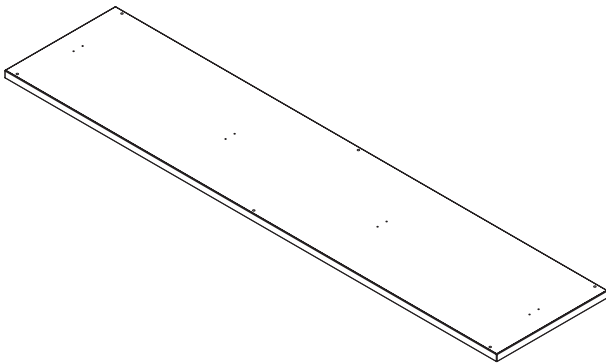


#10 x 5/8" Screw
(122800)



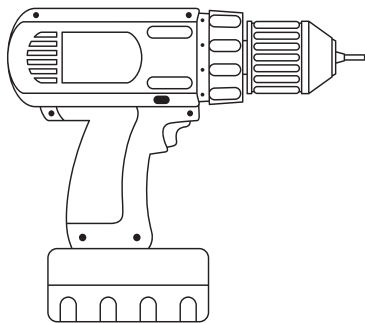
8-32 x 1" Screw
(493815)

Tonic Dual Sided Chicago Infill Components



Chicago Raceway

Tools



Electric Drill

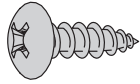


P2 Phillips
Driver Bit

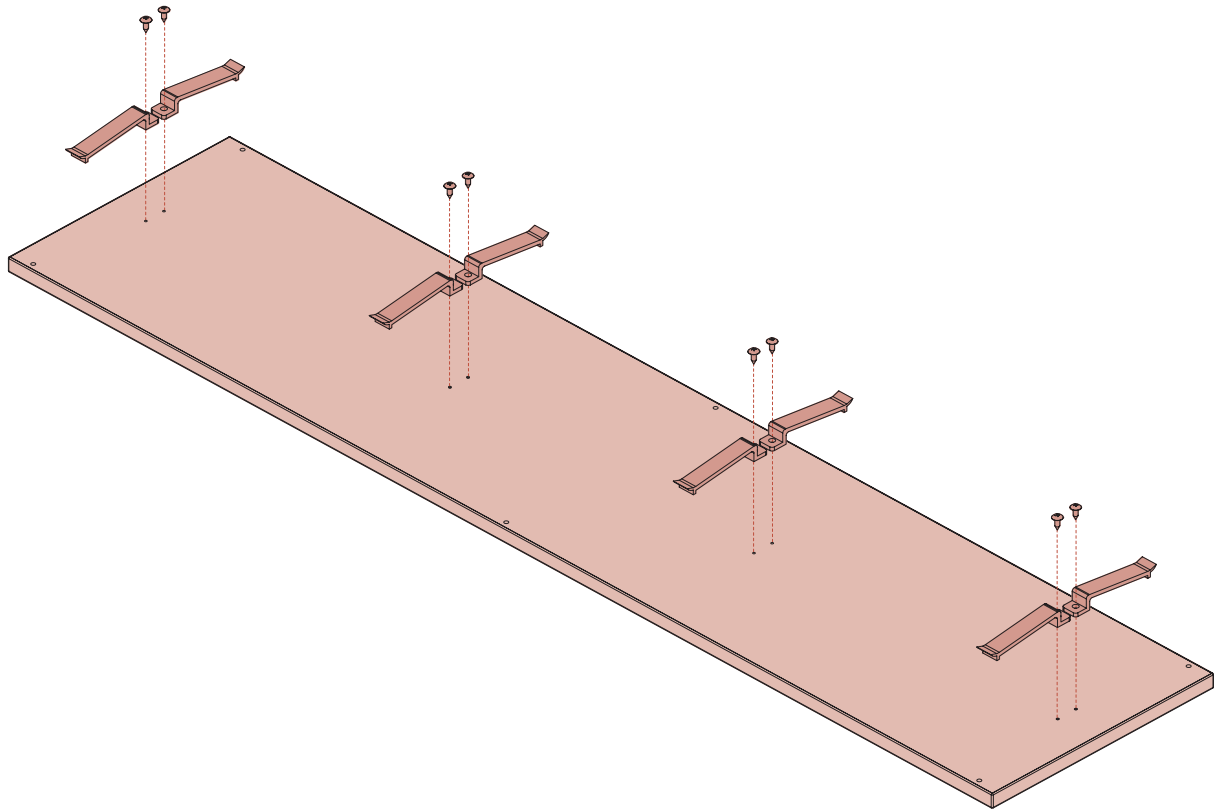
1. Attach Alligator Clips

Attach alligator clips (486911) to Chicago raceway with wood screws (122800).

DO NOT USE THE 1" LONG SCREWS THAT ARE USED TO SECURE THE PRIMARY DESK SURFACES.



#10 x 5/8" Screw
(122800)



2. Attach to Bench

Attach Chicago raceway with alligator clips on the underside to raceway rails with 6 screws (493815).

Note: Alligator clips can be used to route data cables on the underside of the raceway.

The Tonic bench has a blank raceway option providing a platform to install electrical components in the city of Chicago. The power should align to the power lid access found on the component infill above. There is a 3.75" gap between the Chicago raceway and infill above.

Note: Installation must be in accordance with the National Electrical Code and local codes. Electrically interconnected tables need to be mechanically connected.



8-32 x 1" Screw
(493815)

