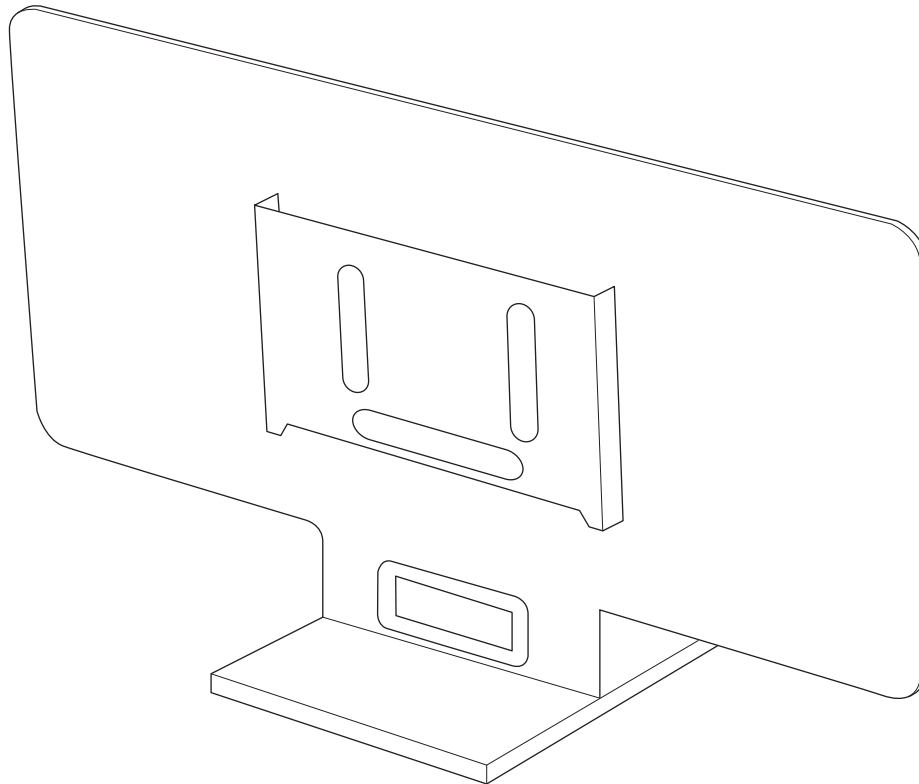


ASSEMBLY

Tonic Monitor Mount



View Digitally

Tonic Video Conference Unit Assembly Instructions

Tools Required

Cordless drill, 5/32" socket insert or Allen wrench.

ITEM NO.	COMPONENT	QTY
A	BACK BOARD	1
B	MOUNTING PLATE	1
C	VERTICAL MOUNTING BRACKETS	2
D	1/4-20 X 1.5" 5/32 SOCKET DRIVE FURNITURE CONNECTION BOLT	4
E	SECURING BAR	1
F	ROUTING BOX (INFILL OR CLAMP-ON VERSION)	1
G	BYRNE AXIL Z POWER TAP (OPTIONAL)	1
H	CLAMP BRACKET (CLAMP-ON VERSION ONLY)	1

Step 1 – Mounting plate and back board to routing box

Install four furniture connection bolts through mounting plate and back board and thread into T-nuts in the routing box.

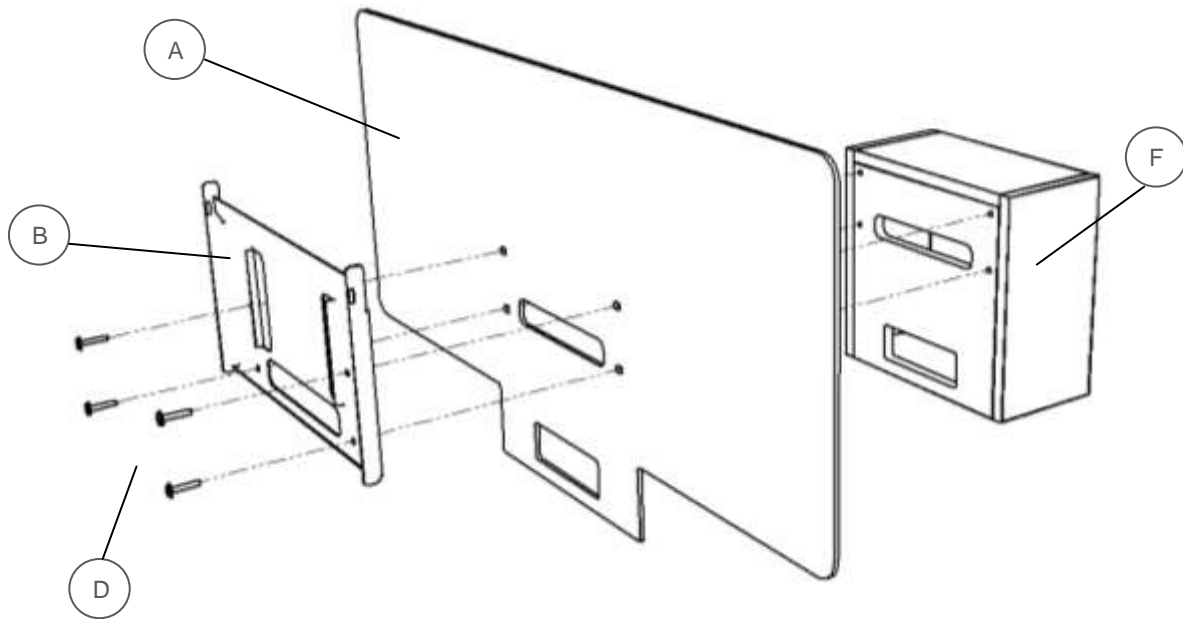


Figure 1

Tonic Video Conference Unit Assembly Instructions

Step 2 – Install power tap

Place the power tap into the rectangular hole in the face of the back board. Reach into the routing box and tighten the clamping bolts on the brackets of the power tap.

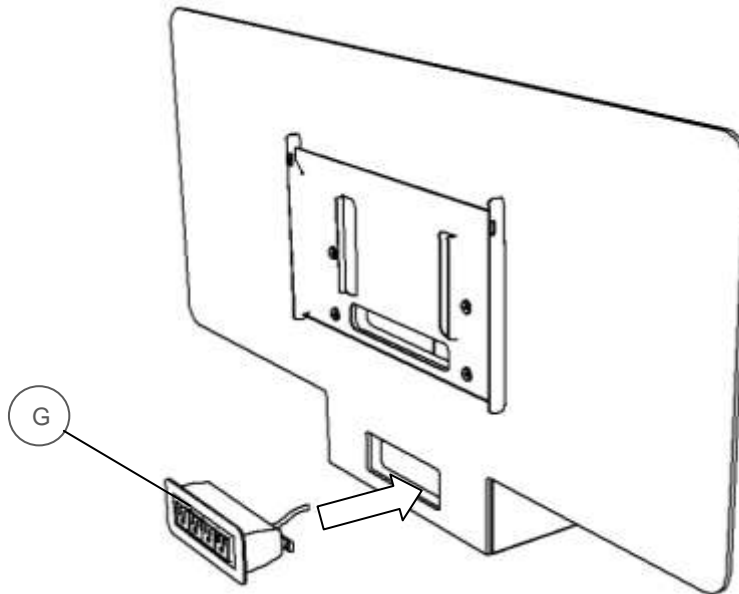


Figure 2

Step 3 (Clamp-on version only) – Attach clamp-on bracket

Remove the rear cover from the clamp bracket. Place the clamp bracket against the back of the routing box. Thread the three bolts through the bracket into the T-nuts in the routing box.

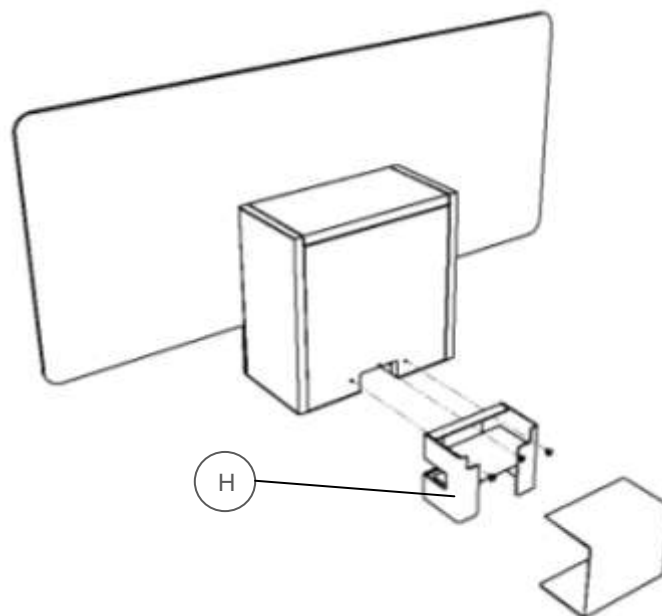


Figure 3

Tonic Video Conference Unit Assembly Instructions

Step 4 (Clamp-on version only) – Install on table

Slide the unit completely onto a table surface. From below, turn the two screws inside of the clamp bracket until they are tight against the underside of the table. Replace the cover onto the clamp bracket.

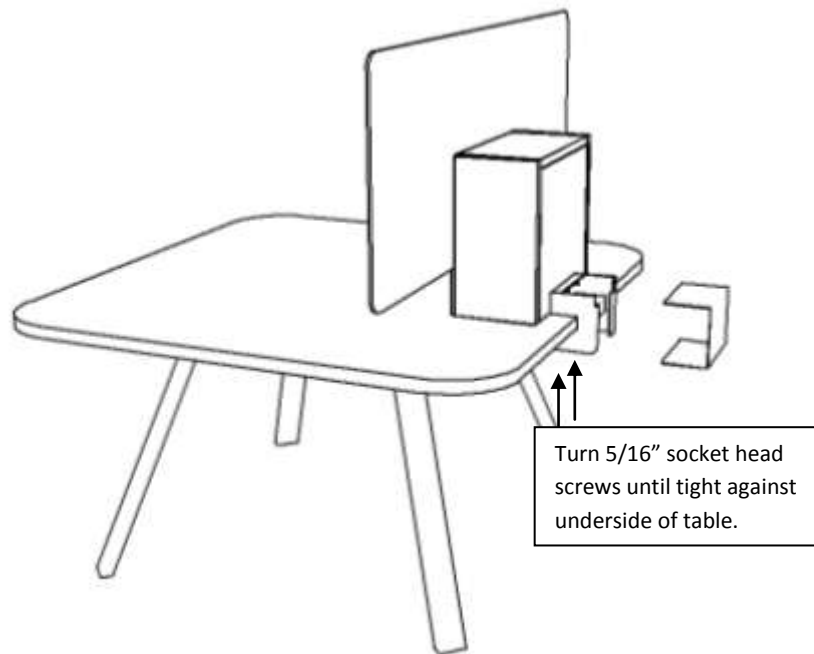


Figure 4

Step 5 (Infill version only) – Install on bench

Place unit into center of bench in desired orientation. Fasten to the bench by driving 1/2" wood screws from underside of bench through upper flanges of the trough into the base panel of the videoconference unit.

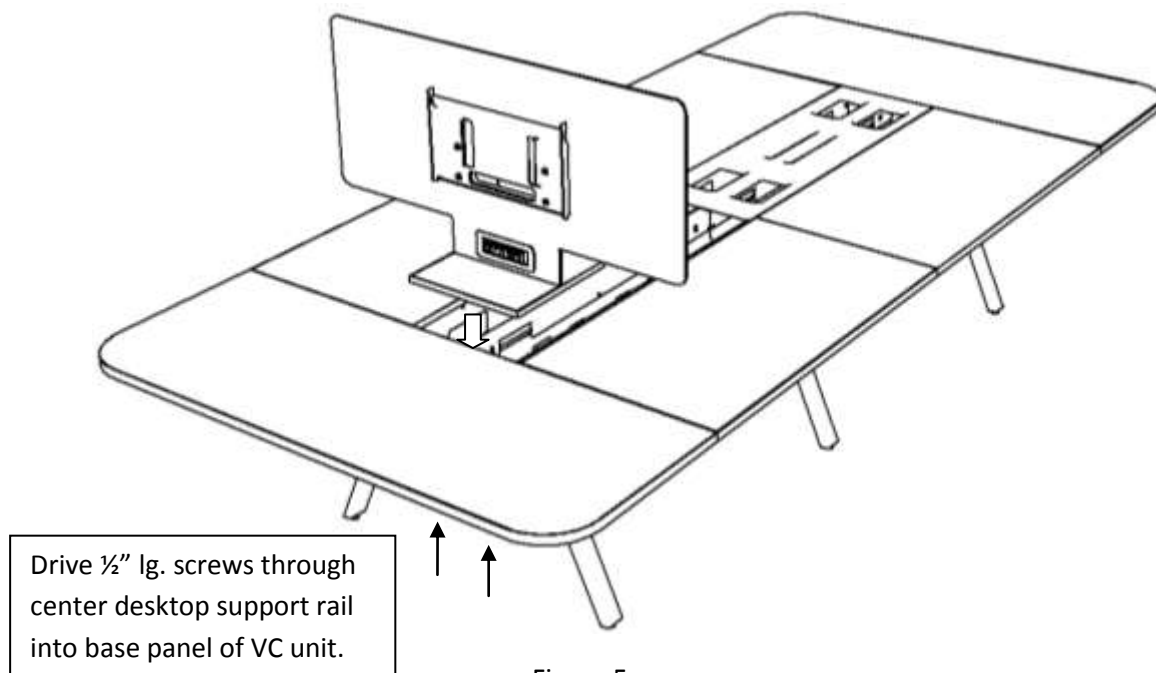


Figure 5

Tonic Video Conference Unit Assembly Instructions

Step 6 Install vertical mounting brackets.

Attach the monitor mounting brackets (C) onto the monitor. Monitors 22" to 32" can be mounted using standard 75mm or 100mm VESA mounting locations.

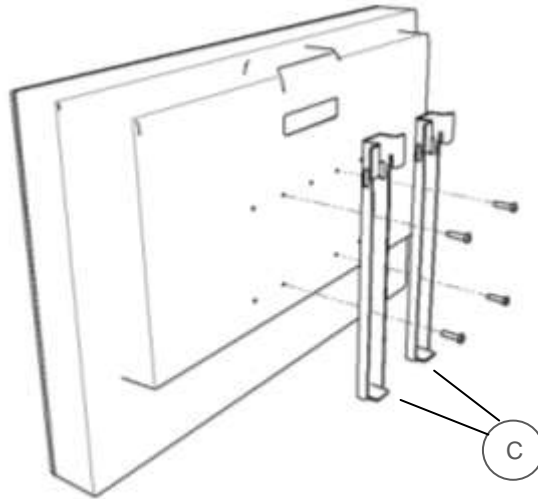


Figure 6

Step 7 Install monitor and secure.

Hang the monitor with brackets onto the mounting plate. Slide the securing bar through the flanges of the mounting plates and the vertical brackets. A customer supplied lock can be placed through the hole in the securing bar, if desired.

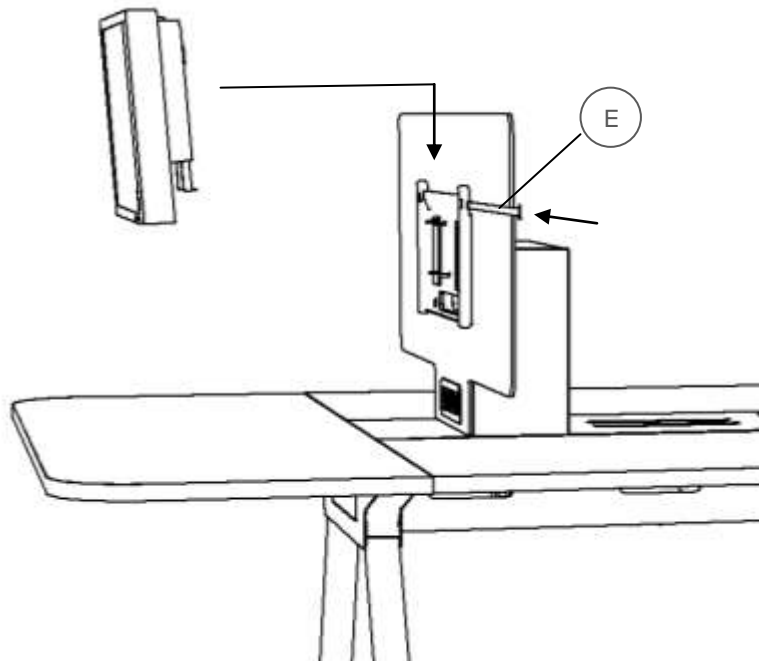


Figure 7

Operating, maintenance, and installation instructions are available at <https://watsonfg.box.com/installation>