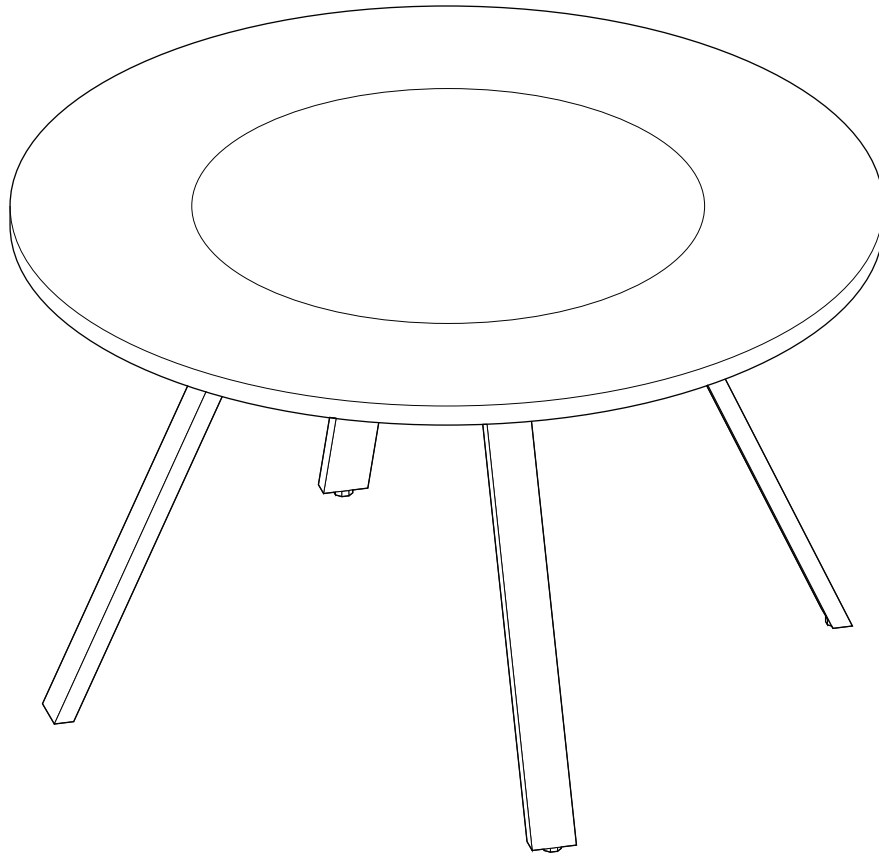


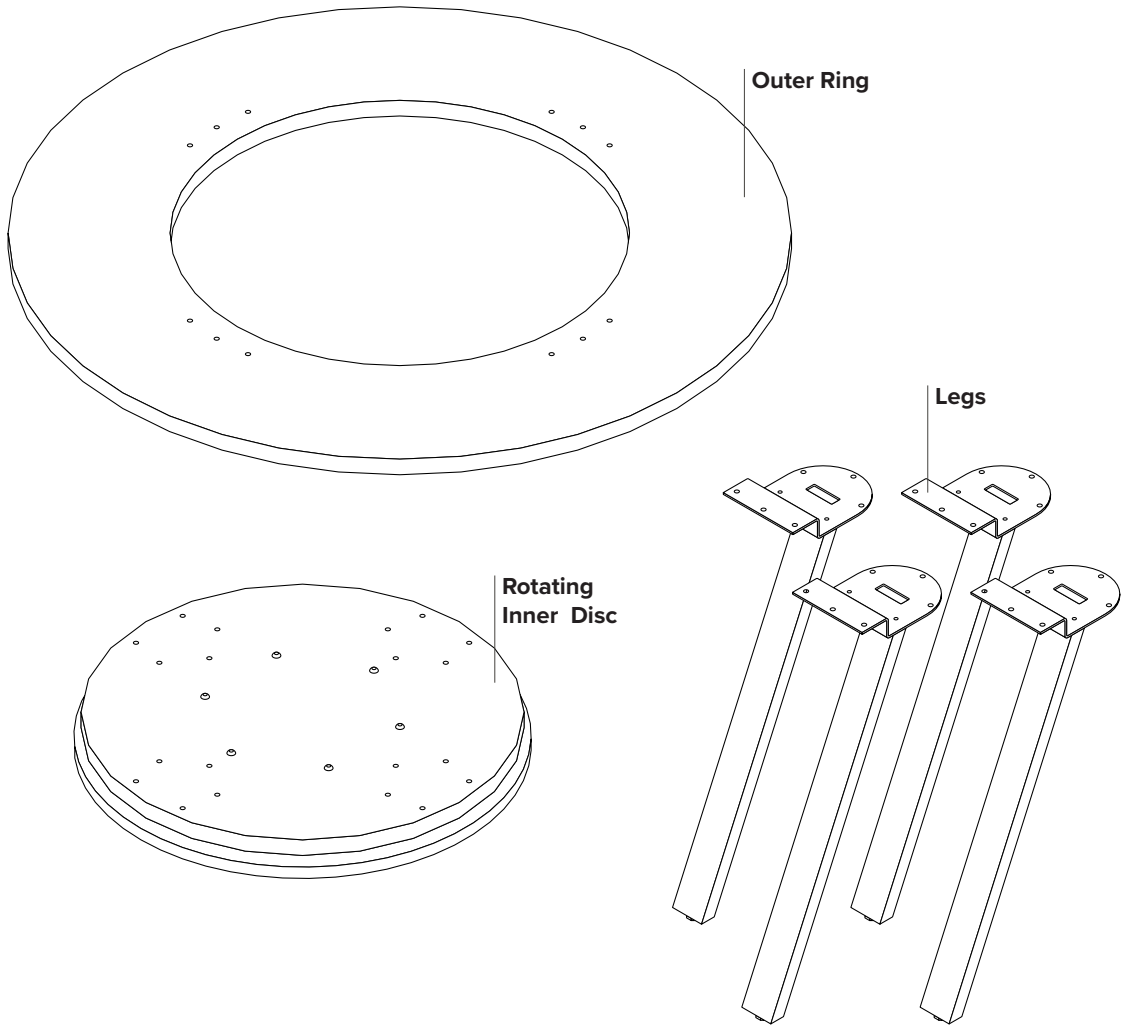
ASSEMBLY

Tonic Rotating Round

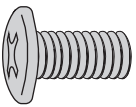


View Digitally

SIMPLE TABLE COMPONENTS

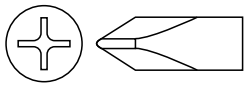


FASTENERS



1/4-20x1/2" Pan Head
Screw, Zinc (126666)

TOOLS



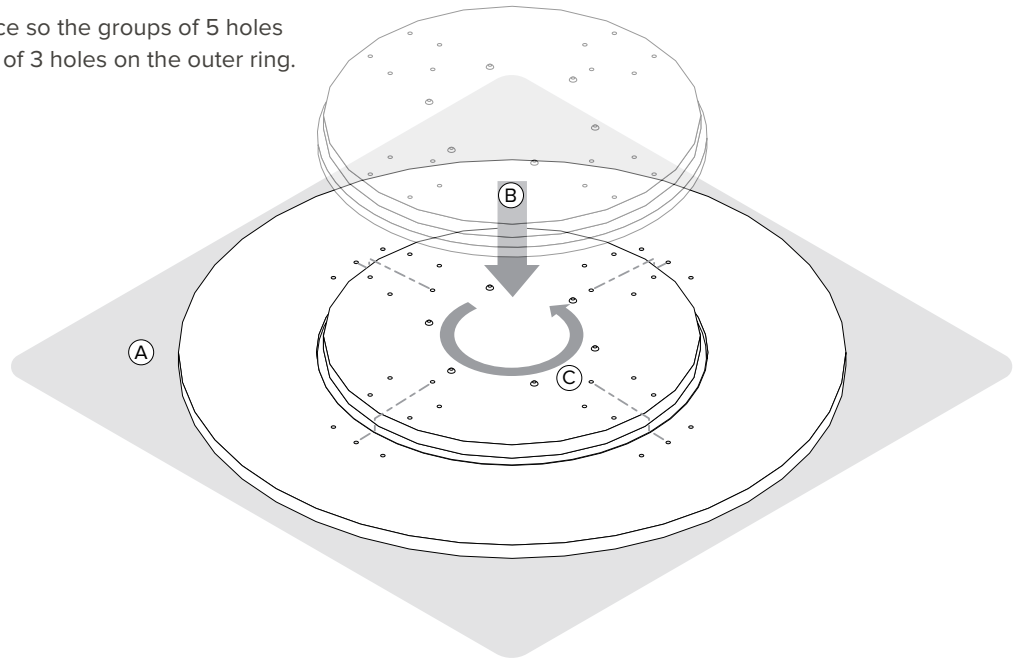
#2 Phillips

1. Position Worksurface Components

Ⓐ Lay outer ring worksurface face side down on a clean blanket or carpet.

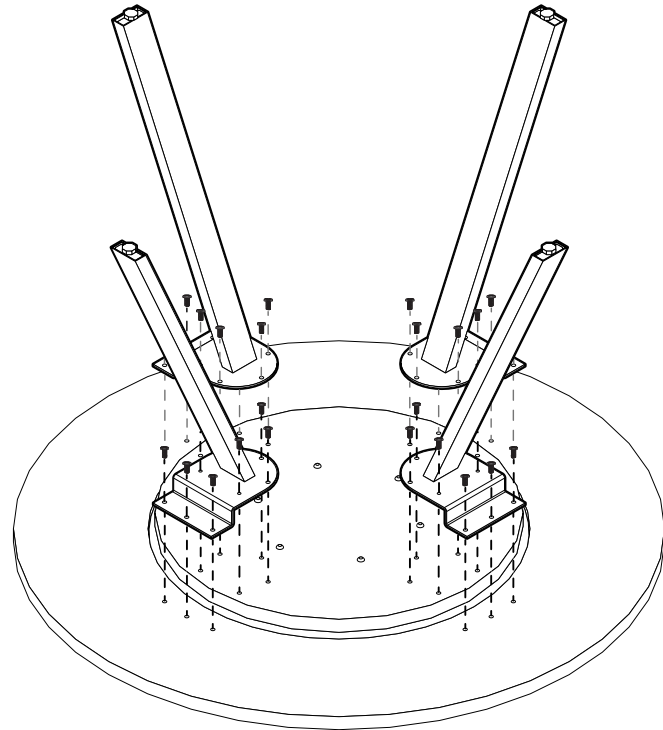
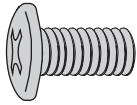
Ⓑ Place inner rotating disc in the outer ring.

Ⓒ Rotate inner surface so the groups of 5 holes align with the groups of 3 holes on the outer ring.



2. Attach Legs

Attach the 4 legs with 1/4-20x1/2" Pan Head Screws (8 ea).

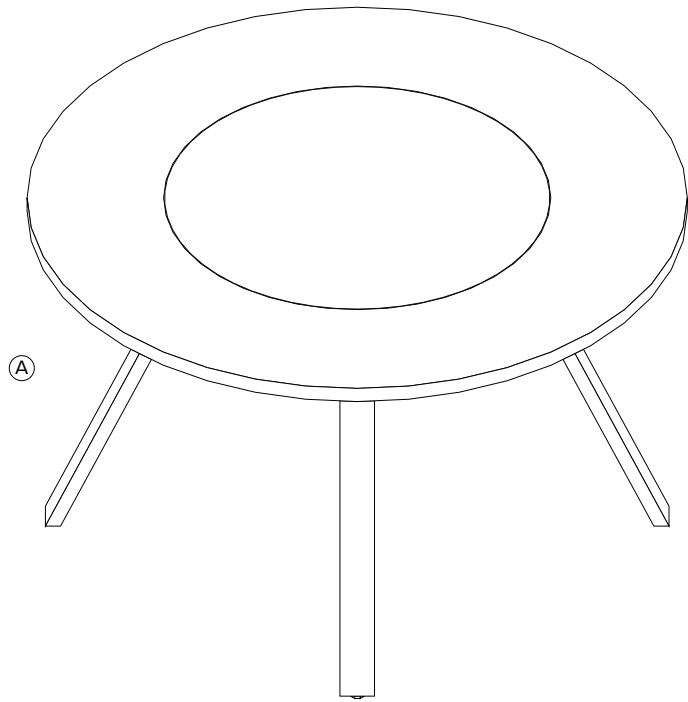
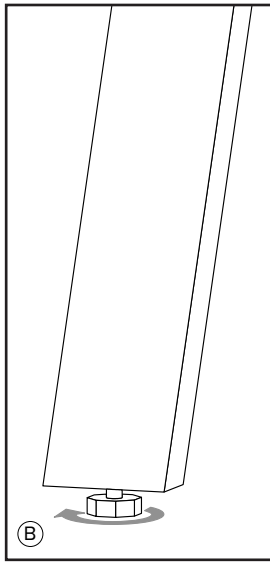


3.

Flip And Level

Ⓐ Flip the table over onto its legs.

Ⓑ Adjust leveling glides to ensure stable performance.



Note — Two people may be required to flip large tables.

Notes
