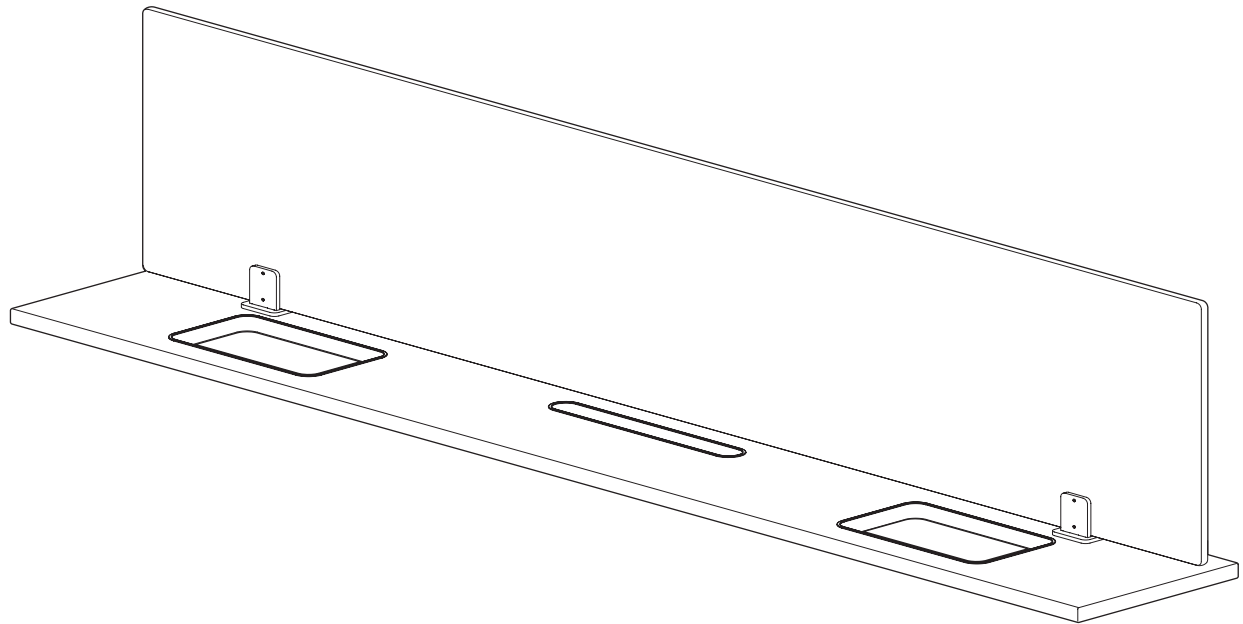
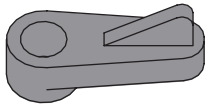


ASSEMBLY

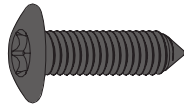
Tonic Single Sided Acrylic Screens



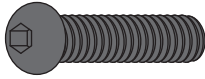
Hardware



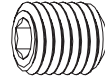
INFILL CLIP
(486915)



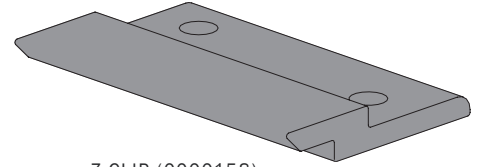
#8 X 3/4" WOOD
SCREW (122810)



5/16-18 X 3/4"
SCREW (124755)

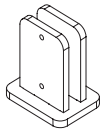


M4X0.7 X 5 SET
SCREW (0001612)

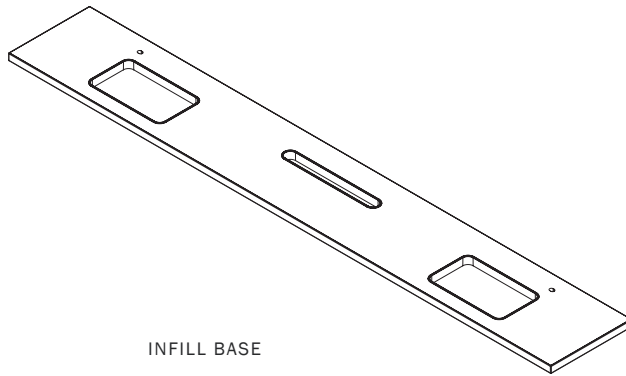


Z-CLIP (0000158)

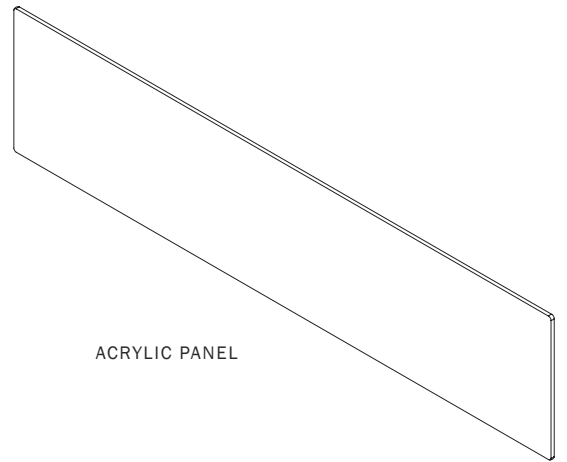
Tonic Single Sided Acrylic Screen Components



ACRYLIC SCREEN
BRACKET

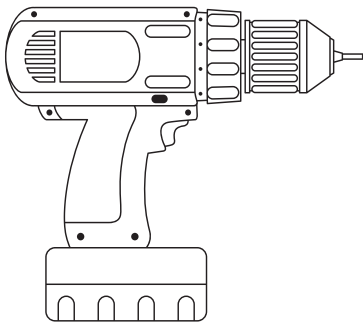


INFILL BASE



ACRYLIC PANEL

Tools



Electric Drill



P2 Phillips
Driver Bit



4mm Hex Drill/
Driver Bit

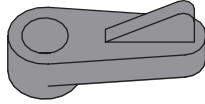


5/16" Hex Drill/
Driver Bit

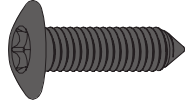
1. Infill Clips

Turn over the infill (bottom side facing up) and drive supplied infill clips (486915) into all predefined pilot holes with #8 x 3/4" screws (122810) as shown below.

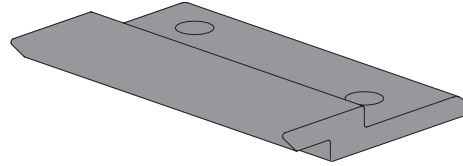
Drive supplied z-clips on all predefined pilot holes with #8 x 3/4" screws (122810) as shown below.
DO NOT USE THE 1" LONG SCREWS THAT ARE USED TO SECURE THE PRIMARY DESK SURFACES



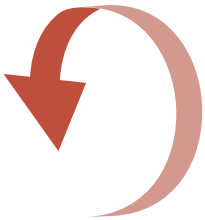
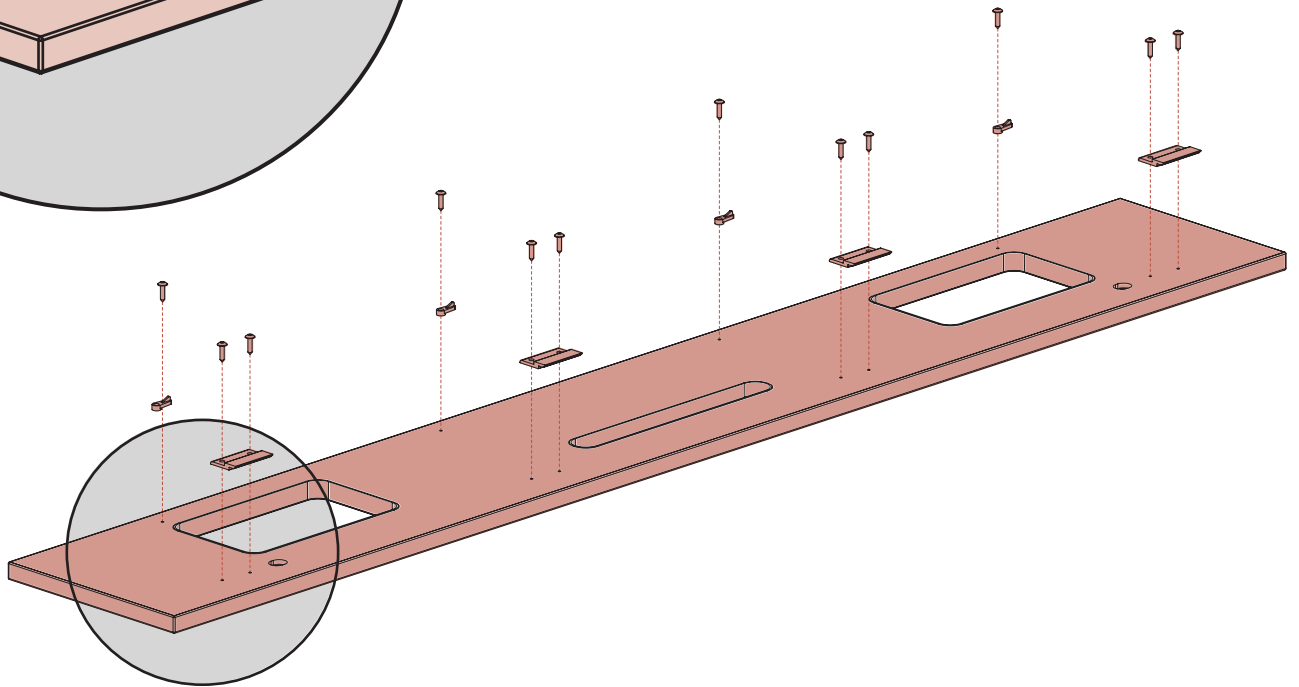
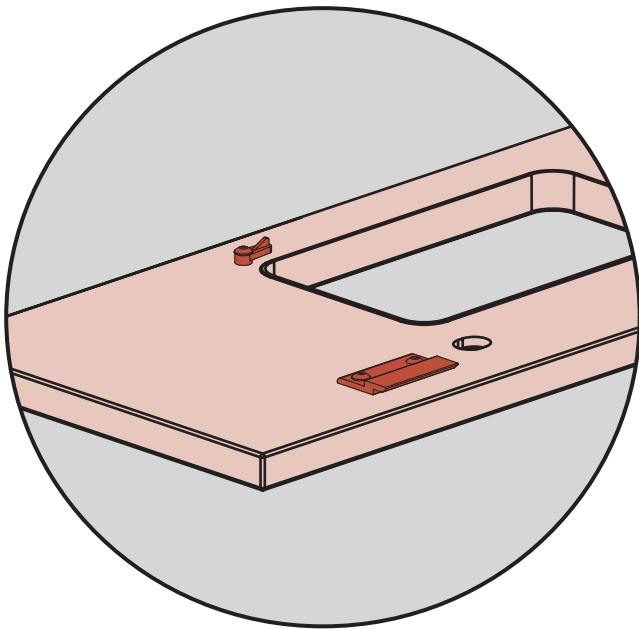
INFILL CLIP
(486915)



#8 X 3/4" WOOD
SCREW (122810)

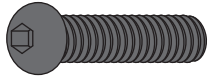


Z-CLIP (0000158)

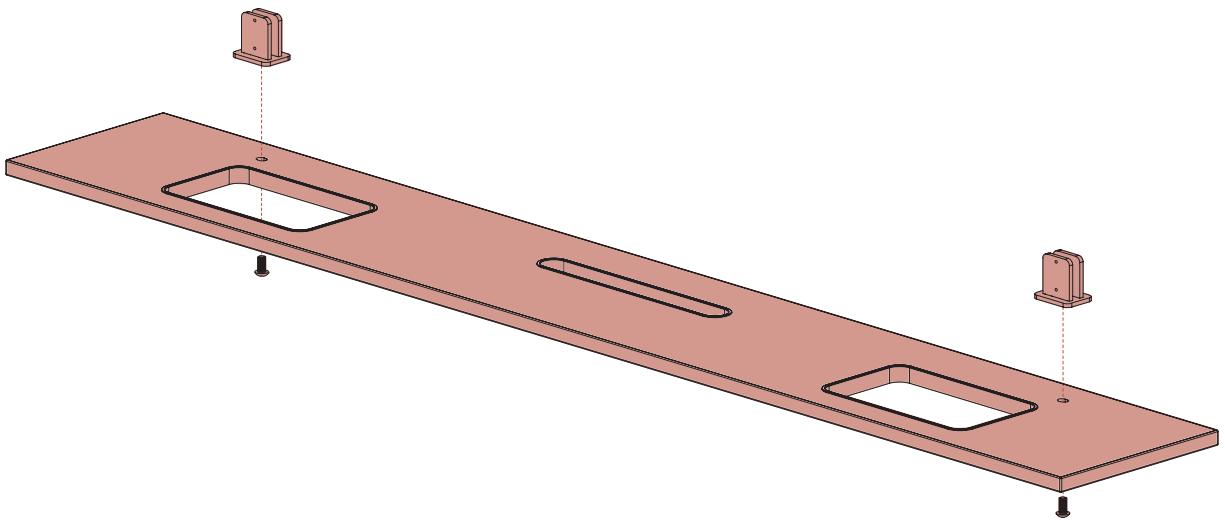


2. Attach Brackets

Connect the Acrylic Screen Brackets to the Infill Panel with the provided screws (124755). Ensure that the brackets are in line with each other and parallel to the edge of the Infill.

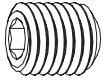


5/16-18 X 3/4"
SCREW (124755)



3. Attach Acrylic Screen

Slide the Acrylic Screen into the brackets. Center the screen in relation to the Infill Panel and attach 4 or 8 set screws (0001612) depending on the width and number of brackets.



M4X0.7 X 5 SET
SCREW (0001612)

