

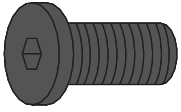
ASSEMBLY

Tonic Single Sided Powerpole



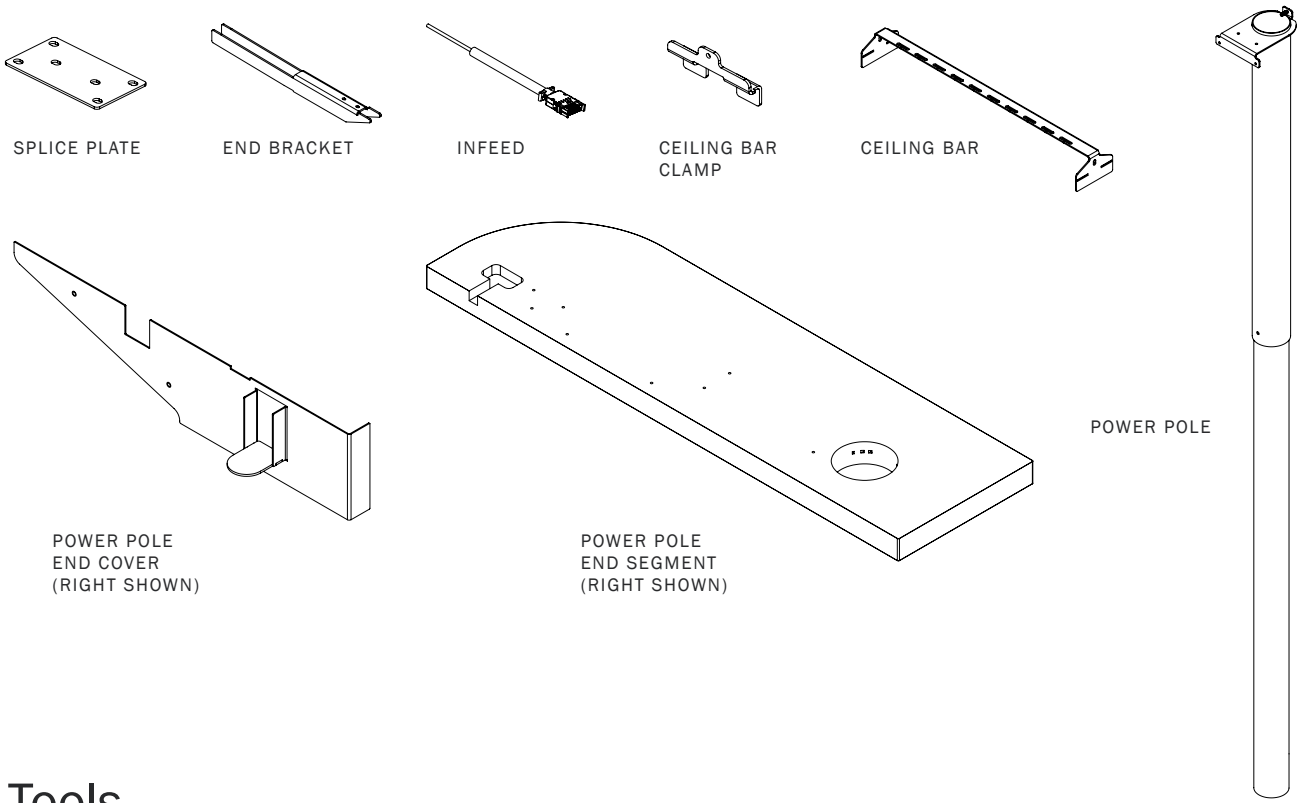
View Digitally

Hardware



M6-1 x 12 SCREW
(0001140)

Tonic Powerpole Components



SPLICE PLATE

END BRACKET

INFEED

CEILING BAR CLAMP

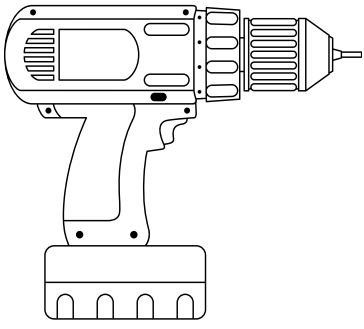
CEILING BAR

POWER POLE END COVER
(RIGHT SHOWN)

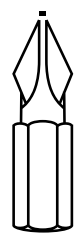
POWER POLE END SEGMENT
(RIGHT SHOWN)

POWER POLE

Tools



Electric Drill



P2 Phillips Driver Bit

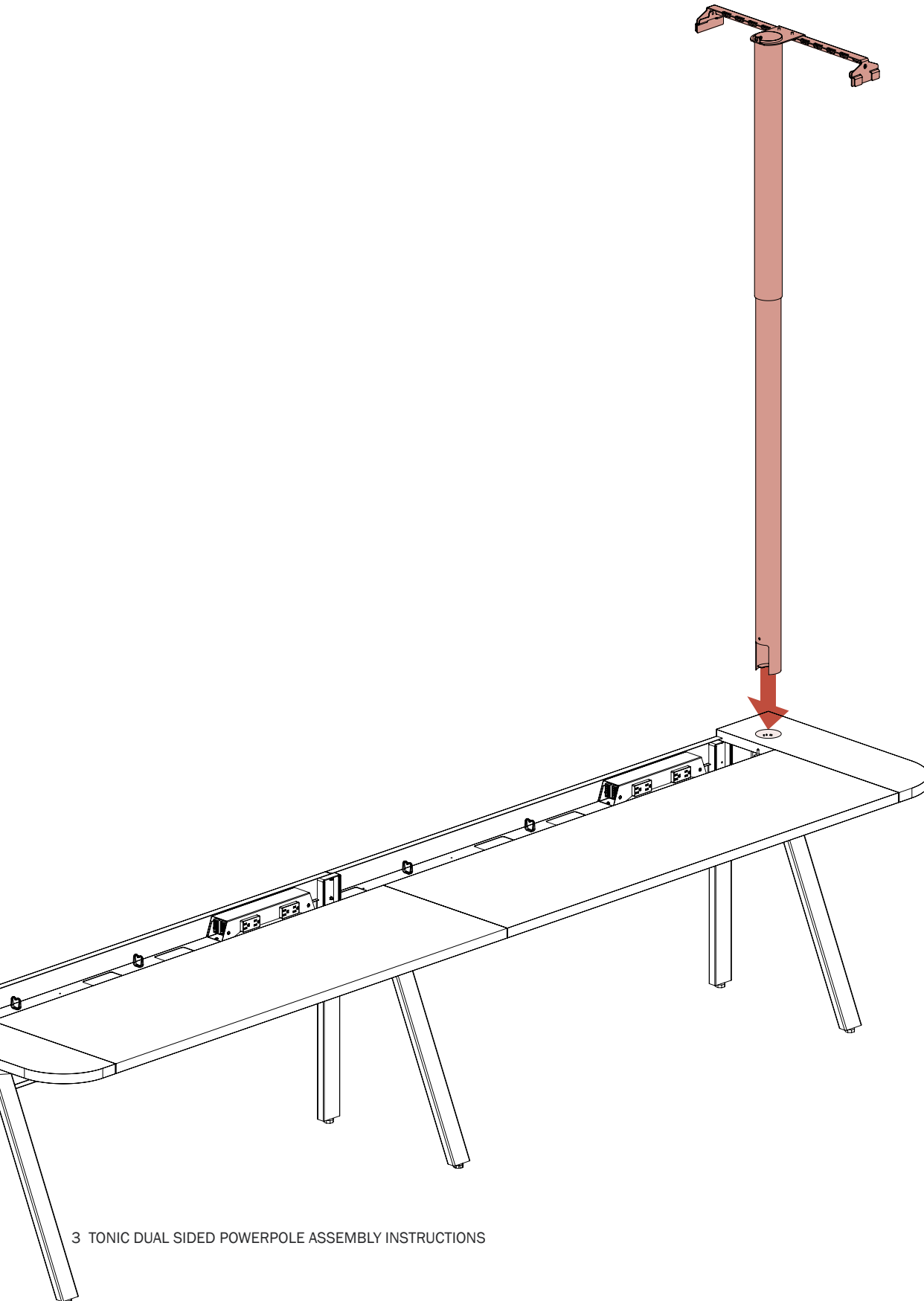


6mm Hex Drill/ Driver Bit

1. Power Pole Install (Optional)

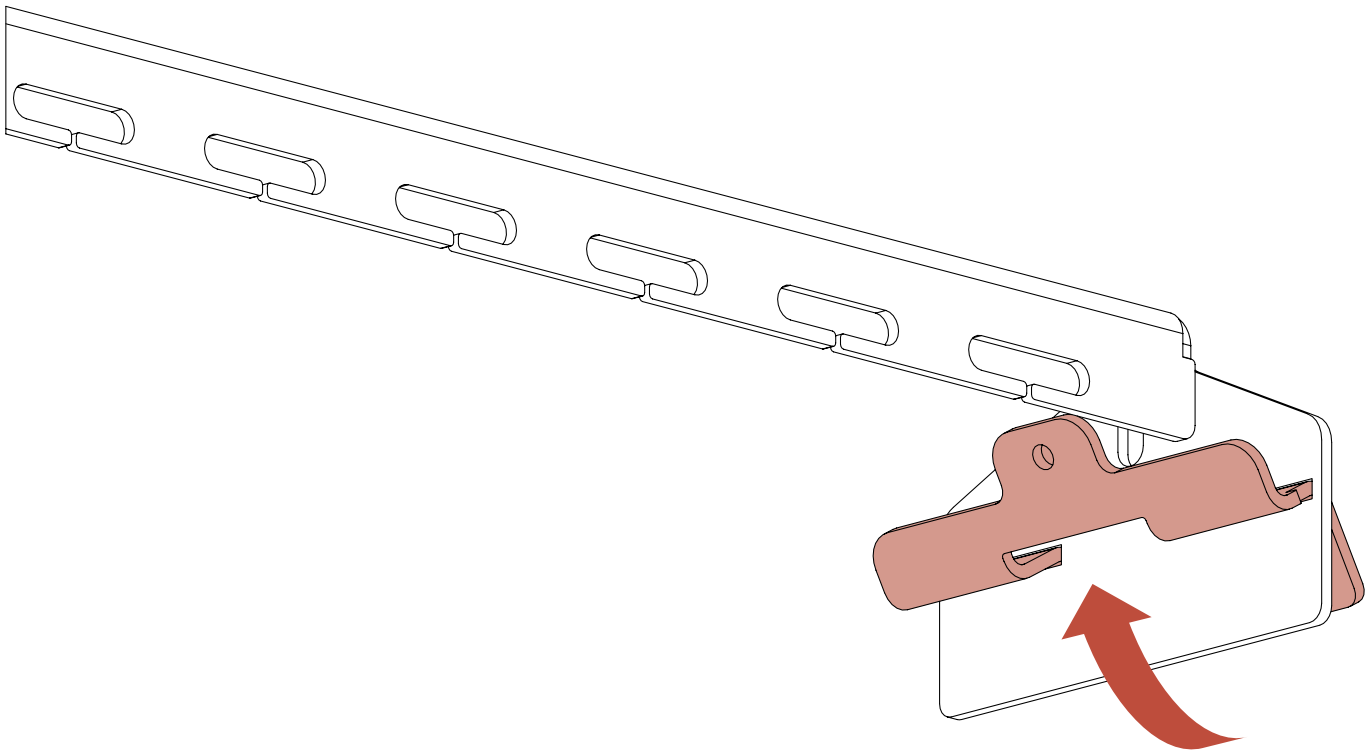
Drop the power pole into the power pole end segment

Note: These instructions are subsequent to **step 8. Secure Surfaces and Alignment**, in the *Tonic Single Sided Workbench Assembly Instructions*.



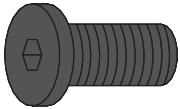
2. Attach Clamp to Ceiling Bar

Fit the ceiling bar clamp into the slots at the end of the ceiling bar, and rotate into place, as shown below.

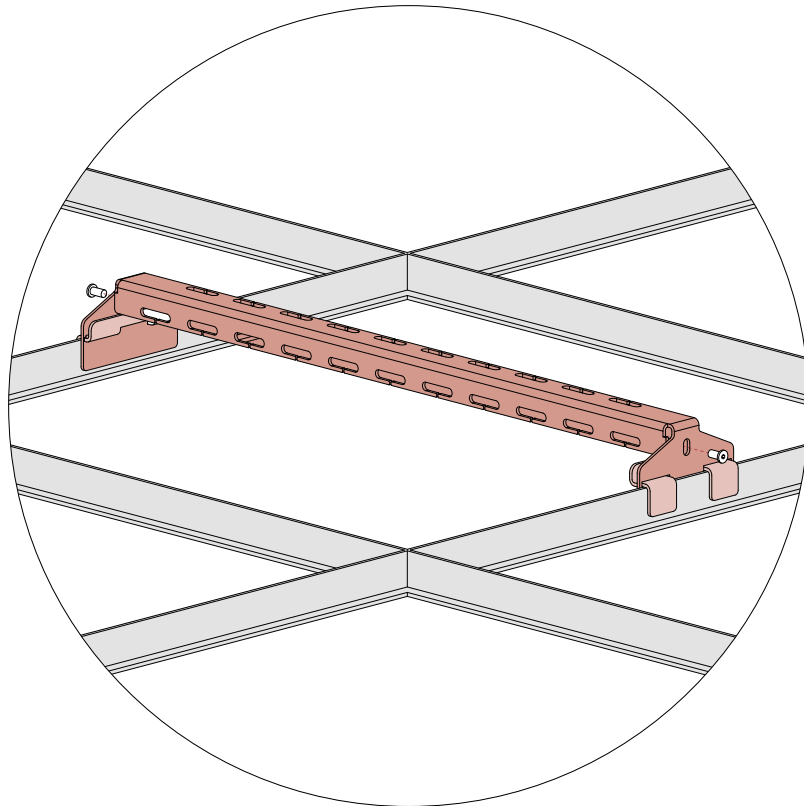


3. Mount Ceiling Bar to Ceiling

Hook the ceiling bar on the 2' ceiling grid and screw the clamp to the ceiling bars with one screw (0001140) on each side. Note: Ensure that ceiling system has required weight capacity.

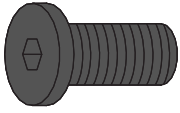


M6-1 x 12 SCREW
(0001140)

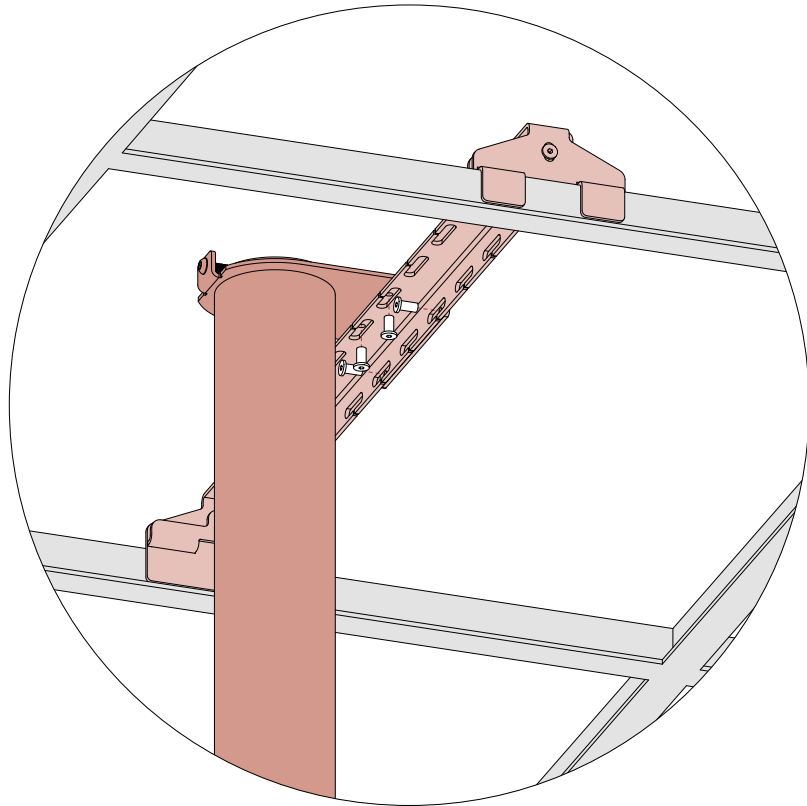


4. Connect Power Pole to Ceiling

Hook the power pole onto the ceiling bar, and align the pole with the bracket at the desired position. Screw pole to the ceiling bar using (4) screws (0001140).



M6-1 x 12 SCREW
(0001140)



5. Run Cables Down Pole

(A) Run the cables down from the roof through the pole, then through the opening of the rail end (B). Wire as normal.

