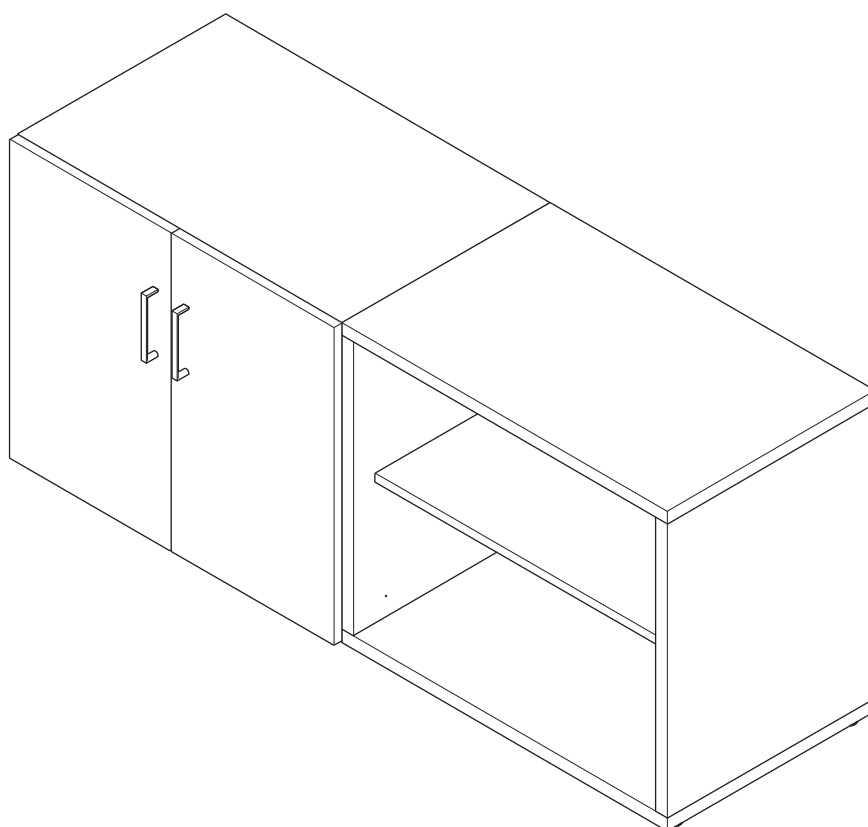


ASSEMBLY

Zo Office Ganging Credenzas



View Digitally

Important Safety Instructions

This product is for commercial use only.

Maximum intended load for each worksurface is 250 lbs (91 kg)

When using an electrical furnishing, basic precautions should always be followed, including the following: Read all instructions before using (this furnishing).

DANGER

To reduce the risk of electric shock:

1. Always unplug this furnishing from the electrical outlet before cleaning.

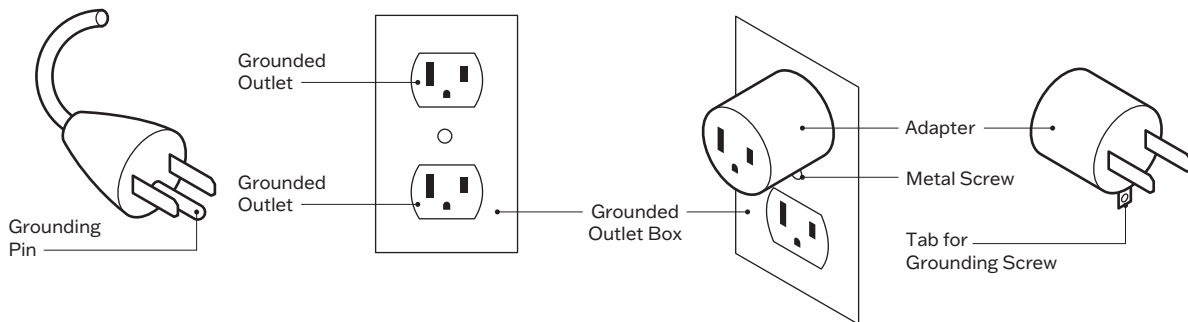
WARNING

To reduce the risk of burns, fire, electric shock, or injury to persons:

1. Unplug from outlet before putting on or taking off parts.
2. Close supervision is necessary when this furnishing is used by, or near children, invalids, or disabled persons.
3. Use this furnishing only for its intended use as described in these instructions. Do not use attachments not recommended by the manufacturer.
4. Never operate this furnishing if it has a damaged cord or plug, if it is not working properly, if it has been dropped or damaged, or dropped into water. Return the furnishing to a service center for examination and repair.
5. Keep the cord away from heated surfaces.
6. Do not use outdoors.
7. Do not operate where aerosol (spray) products are being used or where oxygen is being administered.
8. To disconnect, turn all controls to the off position, then remove the plug from outlet.
9. Risk of Electric Shock – Connect this furnishing to a properly grounded outlet only. See Grounding Instructions (Fig. 1).

Grounding Methods

(Fig. 1)



10. Mount furnishings at the correct height.
11. For commercial use only.


If Using Optional Utility Power -

1. The electrical desk plug must be plugged into the utility power when present.
2. This product is for use on a nominal 120-volt circuit and has a grounding plug that looks like the plug illustrated in sketch A (see Figure 77.1). Make sure that the product is connected to an outlet having the same configuration as the plug. No adapter should be used with this product.

Save These Instructions

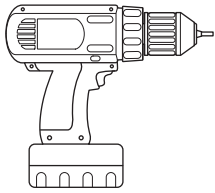
OPERATING INSTRUCTIONS – Please refer to the provided Installation Instructions and User Guide.

POLARIZED PLUG INSTRUCTIONS – To reduce the risk of electric shock, this furnishing has a polarized plug (one blade is wider than the other). This plug will fit in a polarized outlet only one way. If the plug does not fit fully in the outlet, reverse the plug. If it still does not fit, contact a qualified electrician to install the proper outlet. Do not change the plug in any way.

SERVICING OF DOUBLE-INSULATED PRODUCTS – In a double-insulated product, two systems of insulation are provided instead of grounding. No grounding means is provided on a double-insulated product, nor is a means for grounding to be added to the product. Servicing a double-insulated product requires extreme care and knowledge of the system, and is to be done only by qualified service personnel. Replacement parts for a double-insulated product must be identical to the parts they replace. A double-insulated product is marked with the words “DOUBLE INSULATION”, “DOUBLE INSULATED”, or .

This product is for use on a nominal 120-V circuit. Make sure that the product is connected to an outlet having the same configuration as the plug. No adapter should be used with this product.

Tools



Electric Drill

Additional tools such as a 90 Degree Bit and an 18" Extension are helpful for some steps.

*No torque or ball bits should be used



90 DGREE BIT



Phillips Drill/
Driver Bit



Flat-Head
Driver Bit



18" EXTENSION

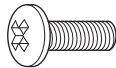


5/16" DRILL BIT

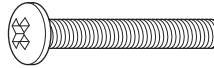
Hardware



1/4-20 x 1"
Binding Barrel
(490713)

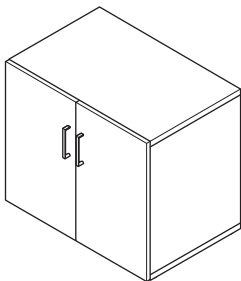


1/4-20 x 3/4"
Screw
(490710)

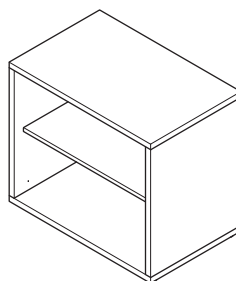


1/4-20 x 1-1/2"
Pan Head Screw
(118740)

Essential Components



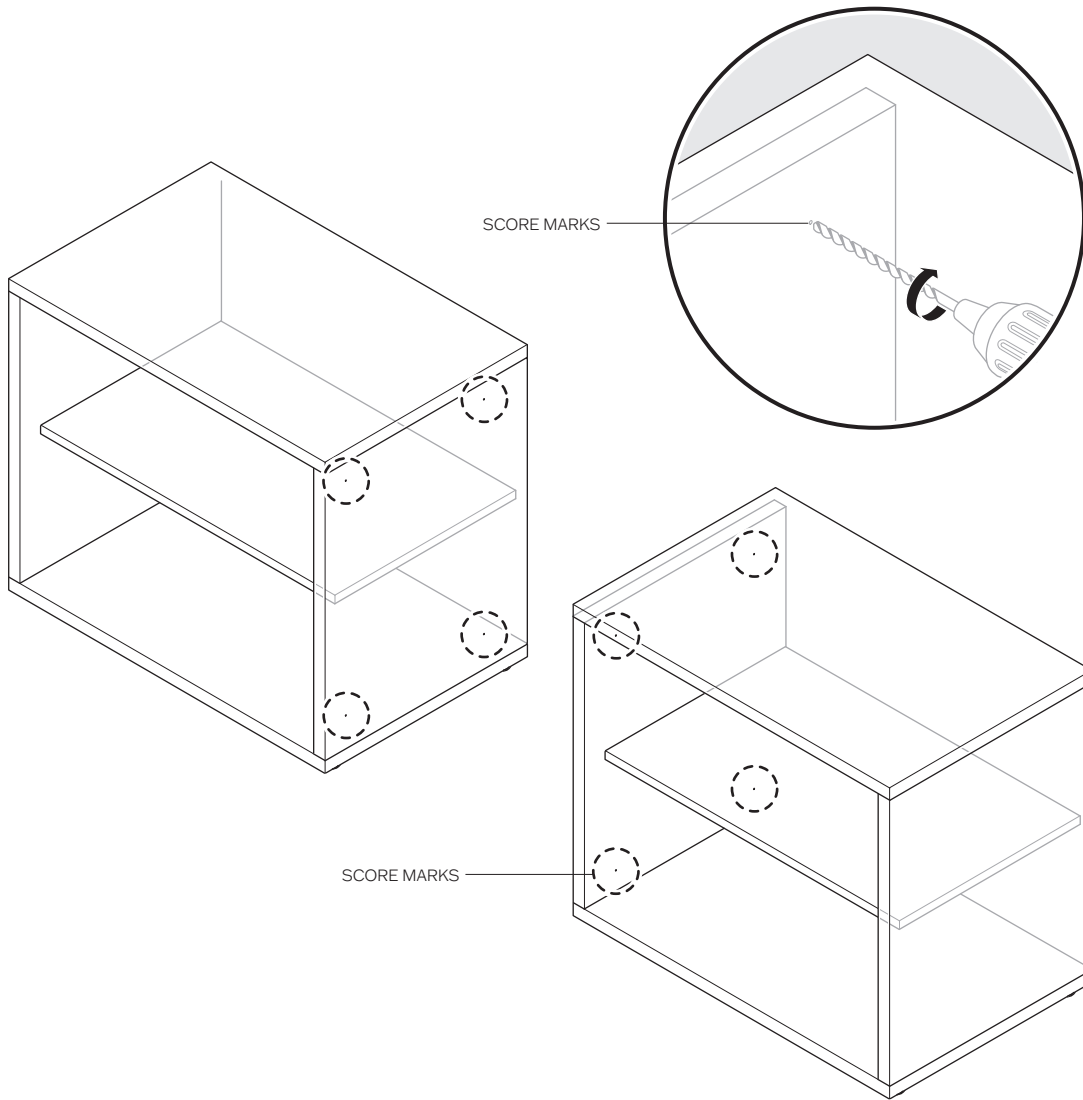
Credenza with Doors



Open Credenza

1. Drill Out Holes.

On the interior of each side panel in a Zo Credenza, there are four (4) score marks. The score marks are located near each of the four corners on the panel. For sides you want to gang to another Zo Credenza, at the score marks use a 5/16" drill bit to drill a perpendicular hole through through the side.



2. Gang Credenzas.

Push the two credenzas up against each other **(2a)**. Insert a Binding Barrel through the hole you drilled out **(2b)**. On the opposing Credenza, insert the 1/4-20 x 3/4" screw or 1/4-20 x 1-1/2" Screw in the opposing hole **(2c)**. The Screw used will depend upon the thickness of the Credenza sides. Drive the Screw into the Binding Barrel. Repeat four (4) times per Credenzas you are ganging.

