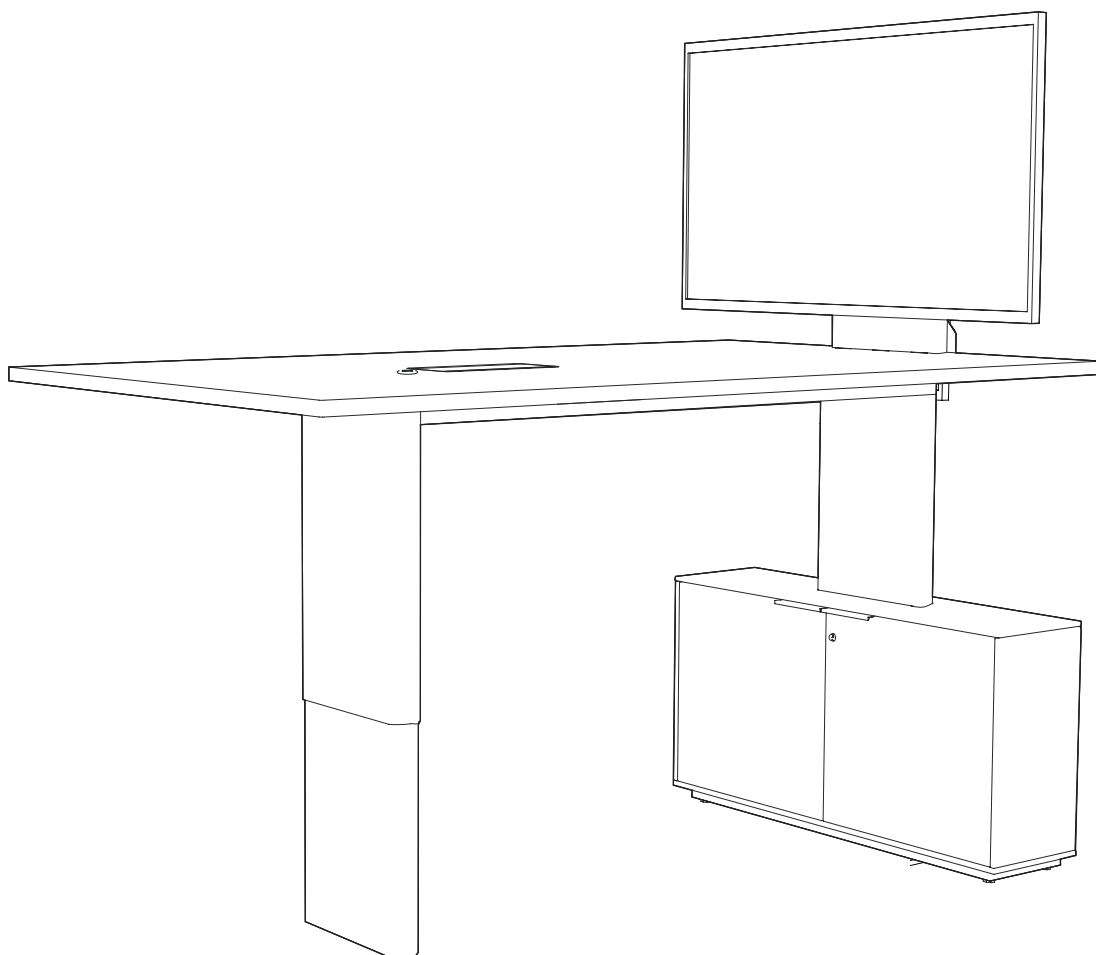
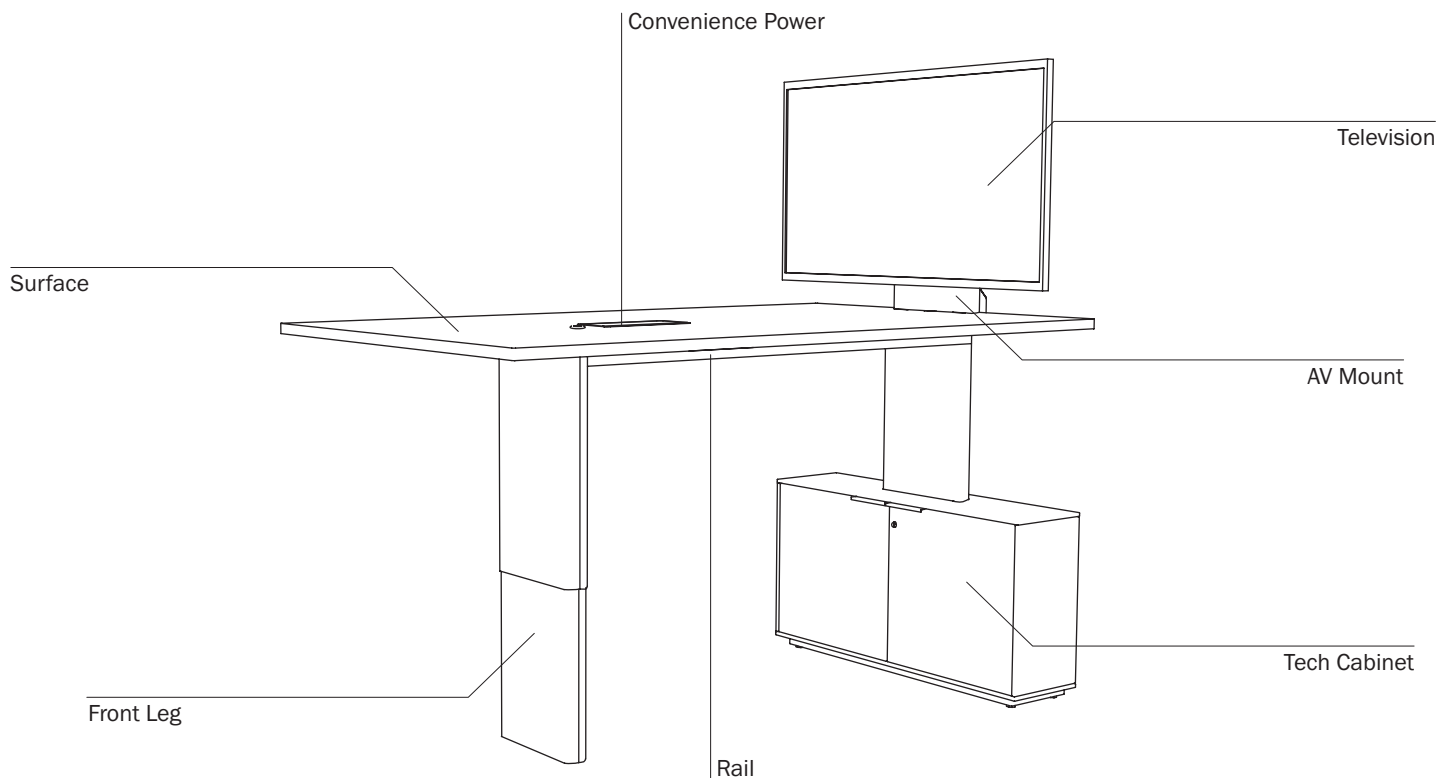


ASSEMBLY

Tia Meeting



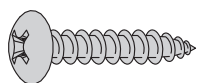
Tia Meeting Table Typical



WARNING — Risk of Fire or Electric Shock. It is possible for this office furnishing system to be connected to more than one source of supply. Disconnect all sources prior to any servicing. A single circuit shall not be powered by more than one source.

WARNING - For commercial use only.

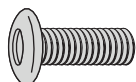
Fasteners



#10x1"
Pan Head Wood
Screw (122850)



10-32 x 3/8"
Phillips Machine
Screw (121376)



M6-1x16mm
Button Head Socket Cap
Screw (125290)



5/16-18
Set Screw
(120252)



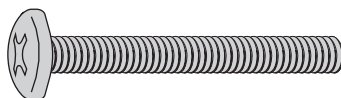
Black Push Rivet (0000822)



1/4"
Washer
(145000)



AV Mounting Hardware
Kit (0000909)



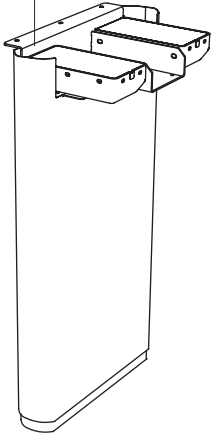
M6-1x40mm Phillips Pan Head
Machine Screw (125293)



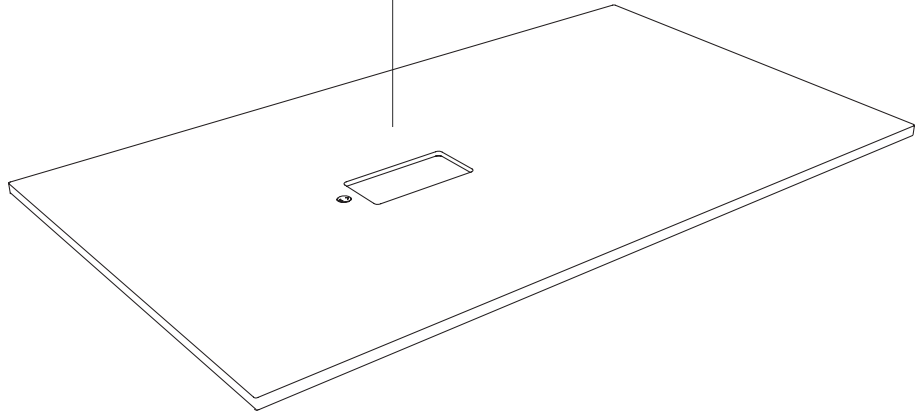
M6-1x12mm Nylock
Nut (888152)

Tia Meeting Table Basic Components

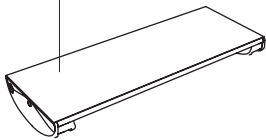
Front Leg



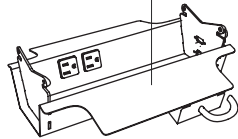
Worksurface



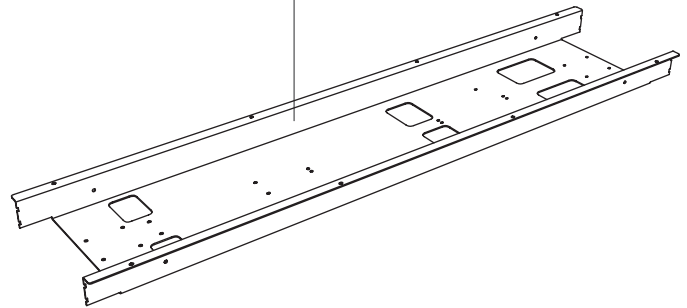
Convenience Power Lid



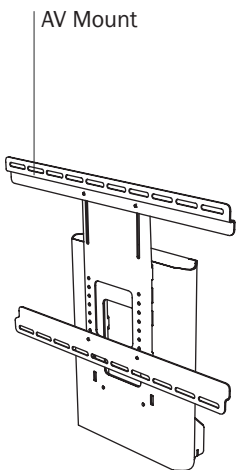
Convenience Power



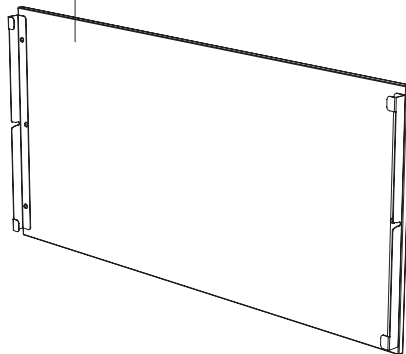
Rail



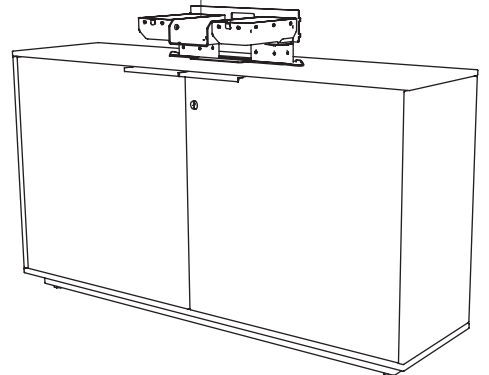
AV Mount



Removable Back



Tech Cabinet

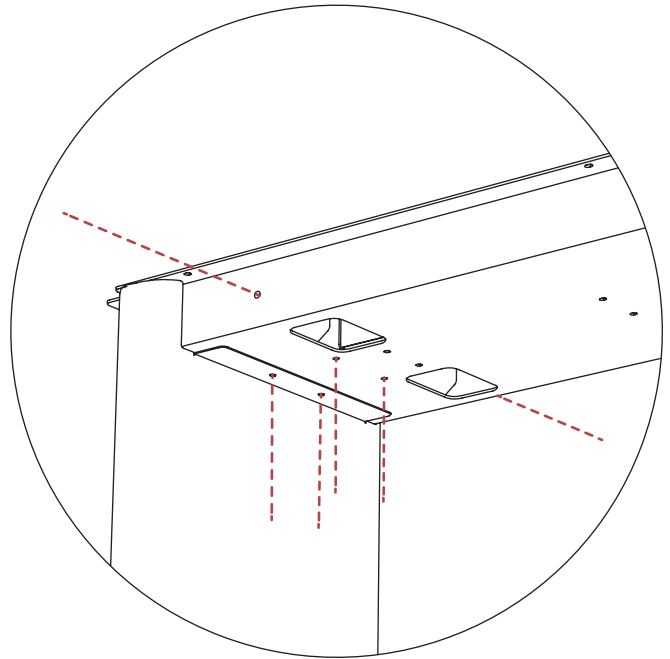
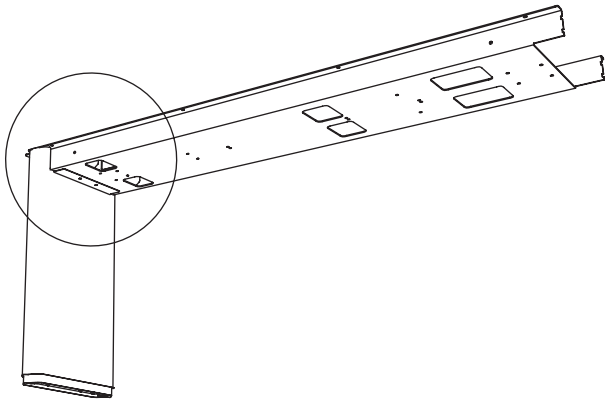


1. Outer Leg

Secure the outer leg to the rail with 6 M6 screws in the holes shown below. Make sure to capture the leg shroud with the two screws closest to the leg.



M6-1x16mm
Button Head Socket Cap Screw
(125285 or 125290)

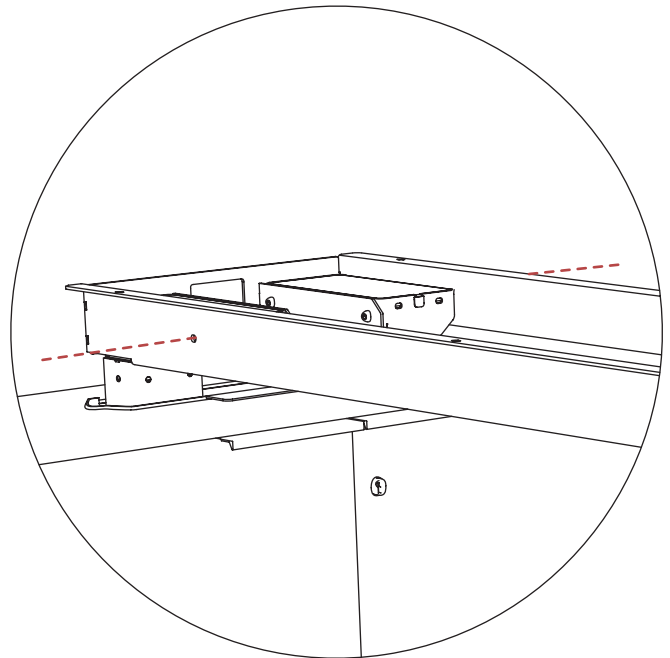
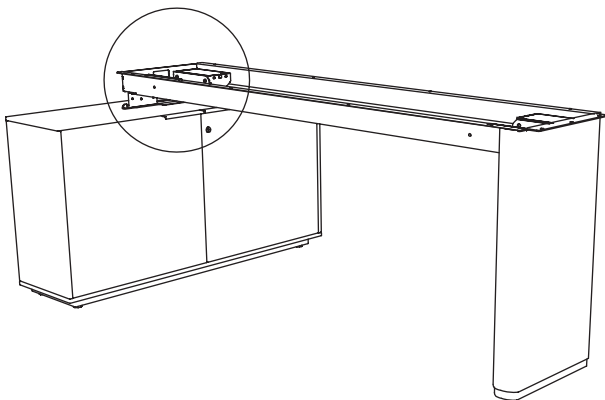


2. Credenza to Rail

Set the rail/outer leg assembly in place atop the tech cabinet. Loosely secure it in place with two M6 screws in the holes shown below.

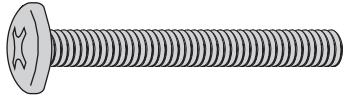


M6-1x16mm
Button Head Socket Cap Screw
(125285 or 125290)



3. Raise Legs

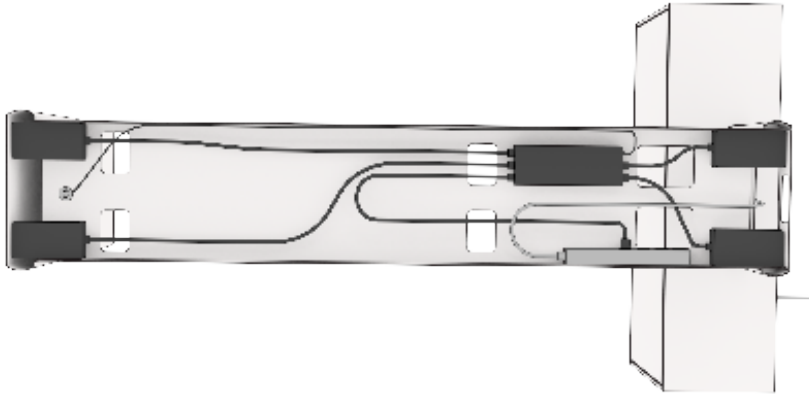
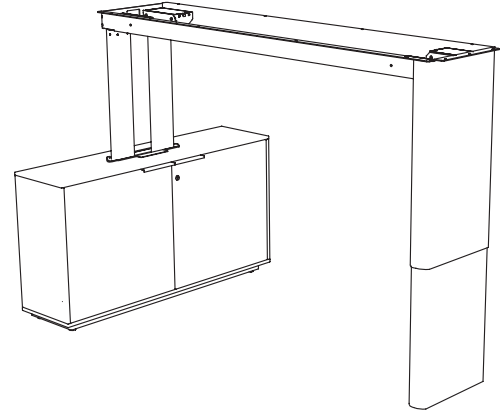
Attach all 4 legs to the control box. Plug the utility power into an outlet and make sure the control box is plugged into the utility power. Temporarily attach a control switch and raise the legs to max height.



M6-1x40mm Phillips Pan Head Machine Screw (125293)



M6-1x12mm Nylock Nut (888152)

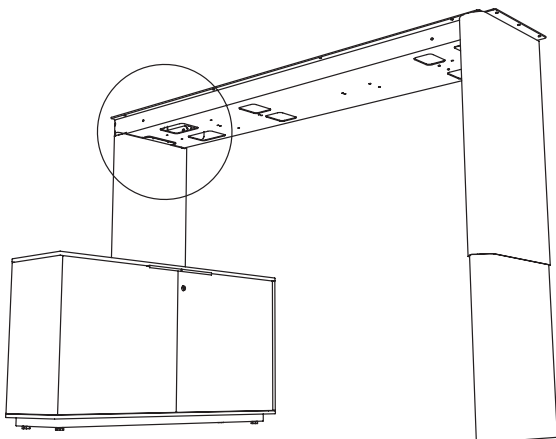
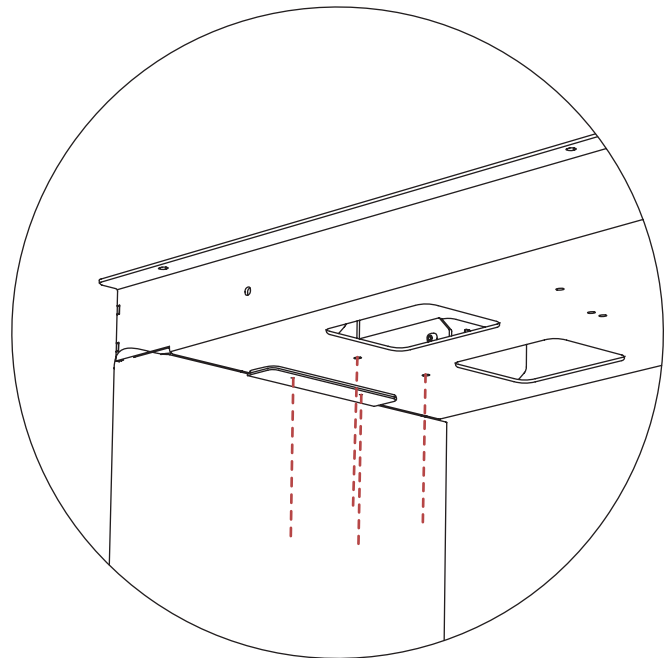


4. Secure Rear Legs

With legs fully raised secure the rear leg to the rail with 4 M6 screws in the holes shown below. Be sure to capture the rear leg shroud with the two screws closest to the rear legs. Tighten all 6 screws in the rear leg assembly to fully secure the tech cabinet.



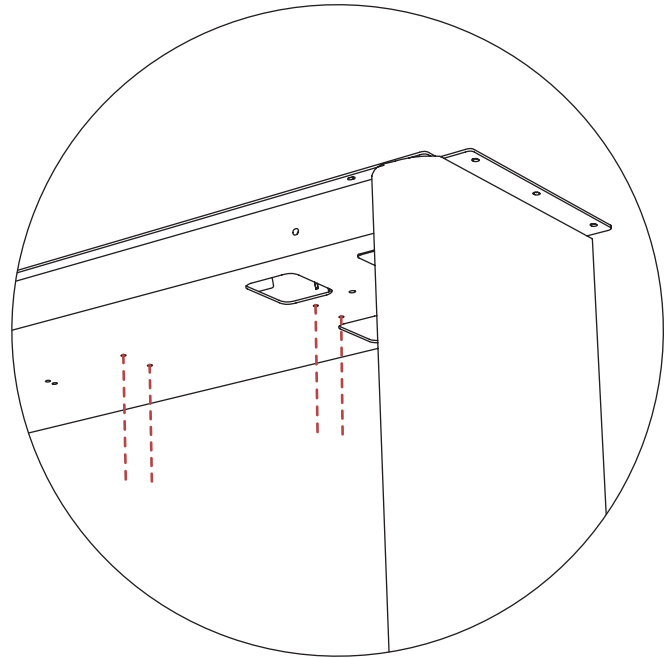
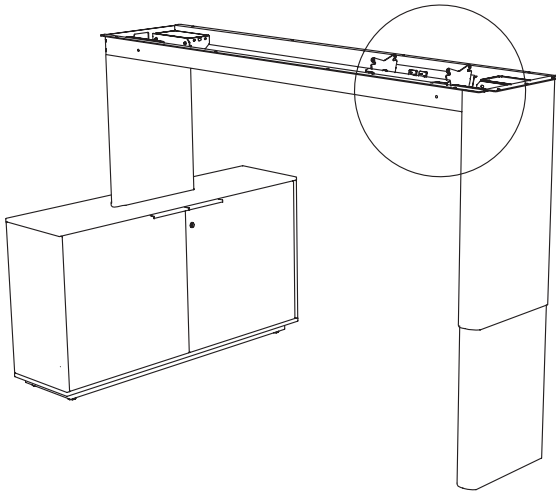
M6-1x16mm Button Head Socket Cap Screw (125285 or 125290)



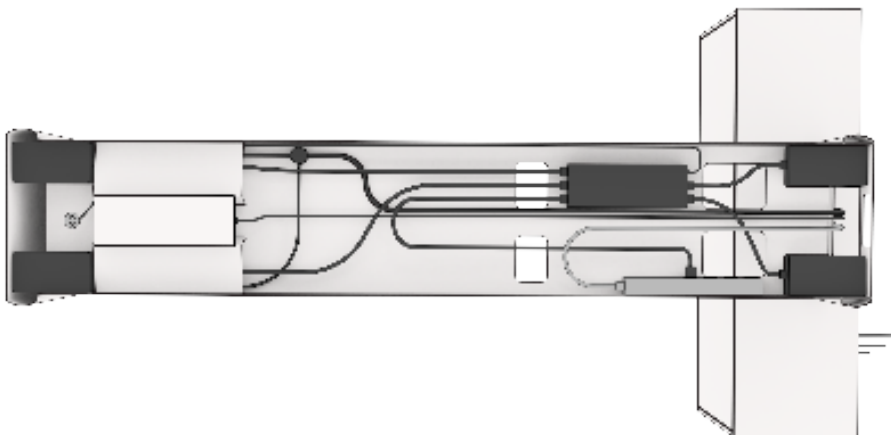
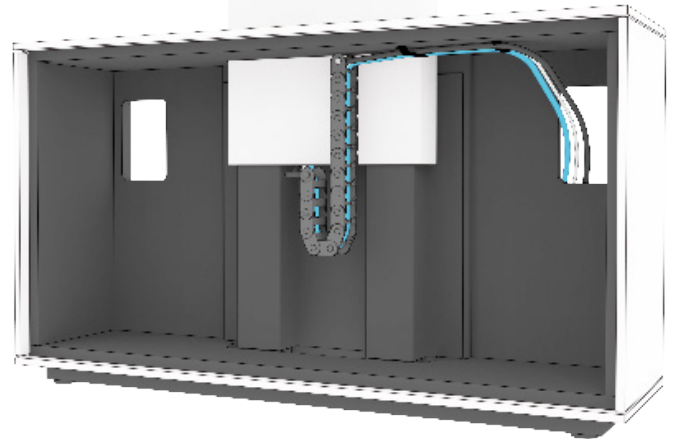
- 5. Optional: Convenience Power**
Secure the convenience power unit to the rail with 4 screws in the holes shown below.



10-32 x 3/8"
Phillips Machine
Screw (121376)



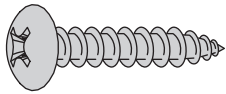
- 6. Cable Routing**
Route the utility power and convenience power cables through the rail and into the rear leg shroud, in-between the lifting columns, and into the tech cabinet. Then run the cables through the energy chain and alligator clips and out the back of the tech cabinet to the appropriate outlets.



7. Worksurface

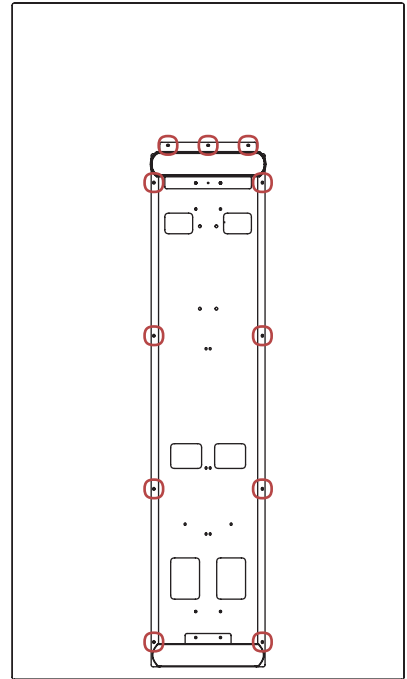
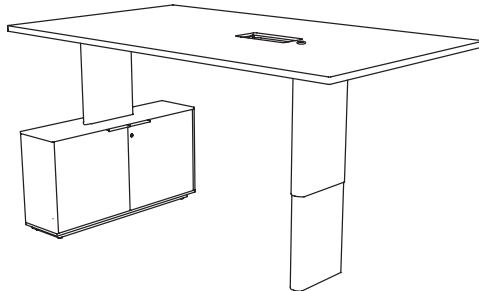
Place the worksurface onto the rail. Place the control switch into its dado in the surface and route the cable to the control box.

Then secure the rail to the surface with 11 wood screws in the holes shown below. The surface should sit 1.5" inset from the back edge of the tech cabinet.



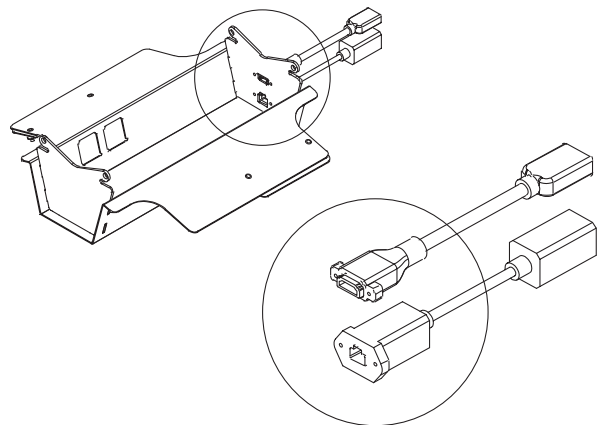
x 11

#10x1"
Pan Head Wood
Screw (122850)



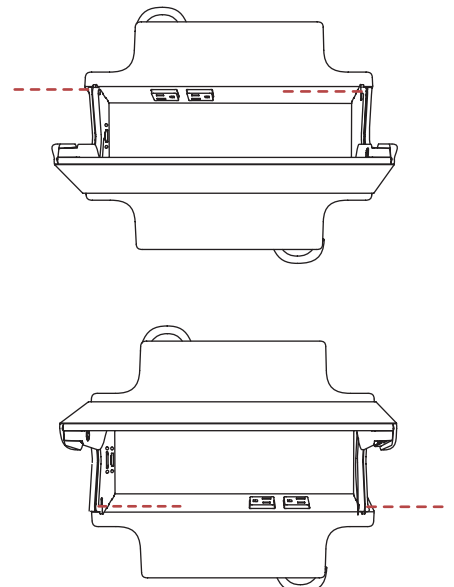
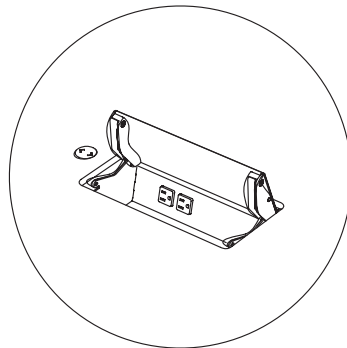
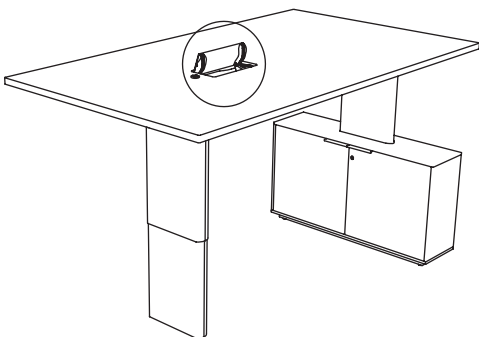
8. Optional: In-Surface Power w/ Double Flip Lid

Install the panel mounted network and HDMI adapters into their dedicated mounts on the side of the power box using the screws provided with each adapter, as shown to the right. Place the double flip lid over the convenience power outlets, if the surface is a wood grain laminate, orientate it in the direction of the grain. Flip the lid up in one direction, and align two of the linkages with the metal brackets. Secure these linkages to the metal bracket with two push rivets. Push the rivets through the metal bracket and then into the plastic linkages. Then flip the lid up in the other direction and repeat the same process. Finally loosen screws for the convenience power on the underside of the rail. Adjust the placement of the unit until there is a consistent gap all the way around the lid, then tighten the screws once more.



x 4

Black Push Rivet (0000822)



9. Optional: AV Mount

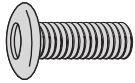
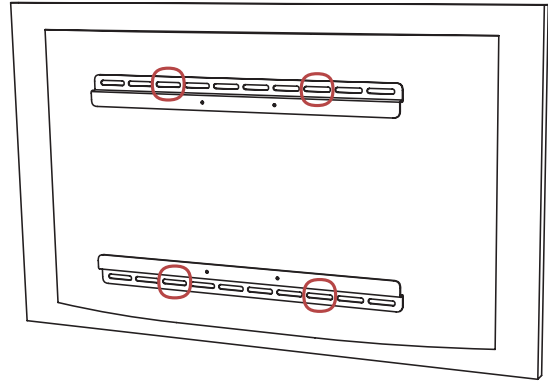
Secure the cross bars to the back of the television with the AV mounting hardware kit. The specific hardware and screw placement will vary based upon TV brand. Next mount the hanger plate to the cross bars with 4 M6 screws and washers in the holes shown below.



x 1

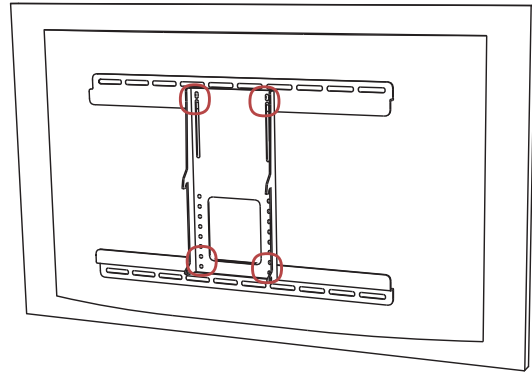
AV Mounting Hardware Kit
(0000909)

Caution:
Using incorrect screws can
damage TV. Consult TV
manual



x 4

M6-1x16mm
Button Head Socket Cap
Screw (125290)

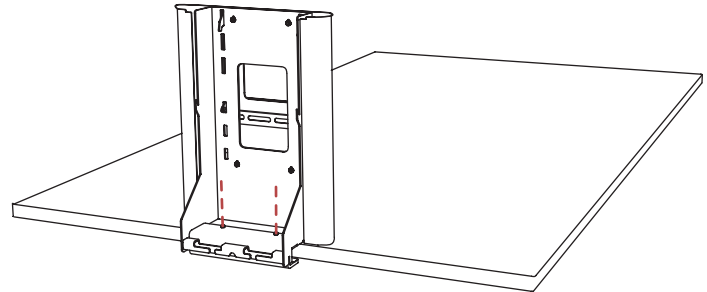


x 4

1/4"
Washer
(145000)

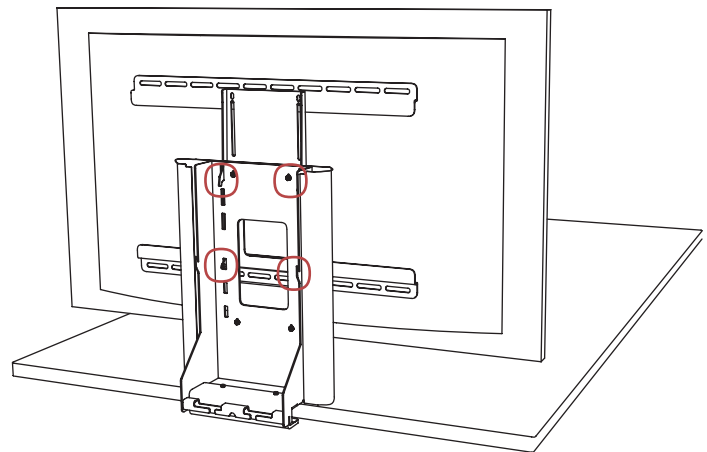
10. AV Mount

Place the AV mount on the edge of the worksurface aligned with the rear leg. Drive two set screws into the 1/4" plate at the rear of the mount to clamp it securely in place. Next hang the TV/crossbar/hanger plate assembly onto the AV mount. There are three different heights the TV can be hung at. Choose the correct height that creates a 4-6" gap between the bottom of the TV and the top of the worksurface. Secure padlock (not supplied) if desired.



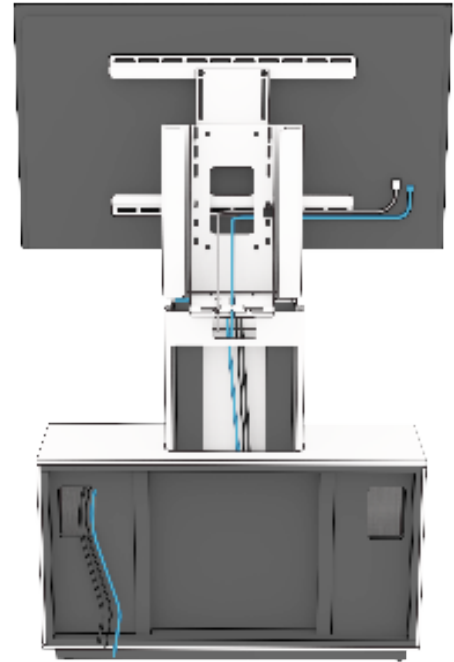
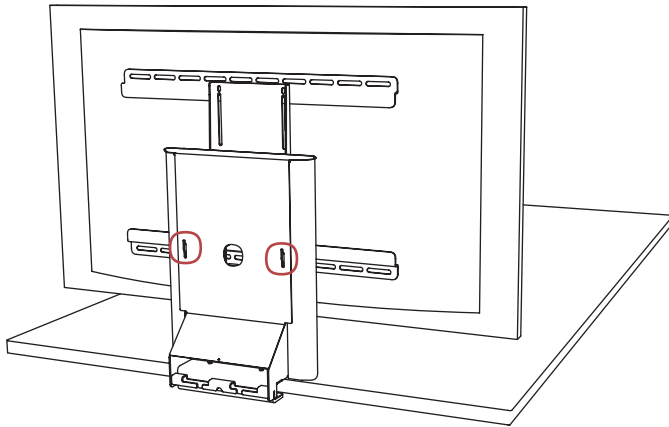
x 2

5/16-18
Set Screw
(120252)



11. Cable Routing

Route the TV cords through the AV mount and into the Rail. The power cord can be plugged into the Utility power, while the HDMI can be connected to the Convenience power HDMI pass-through. Finally hang the AV mount cover on the back of the mount to hide the cables.



12. Attach Back Panel (Optional)

If the back of the cabinet is exposed, cover the back with the optional back panel. Hook the two metal bracket ends of the back panel to the bushings on the inside of the side panels. The panel will be held in place with magnets on top and bottom.

